

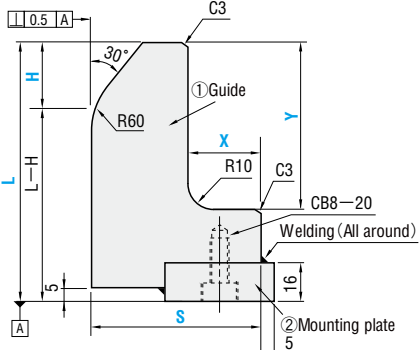


NEST GUIDES

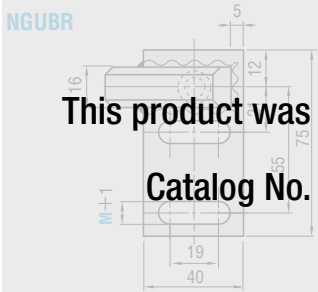
— UPPER DIE RELIEF TYPE —

NEST GUIDES

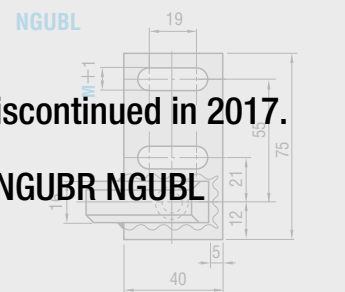
— REINFORCED TYPE (ECONOMY) —

NGUA

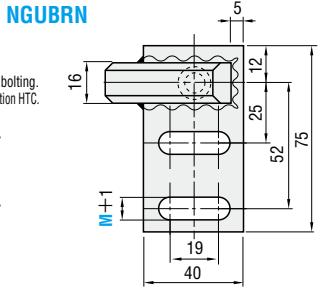


NGUBR

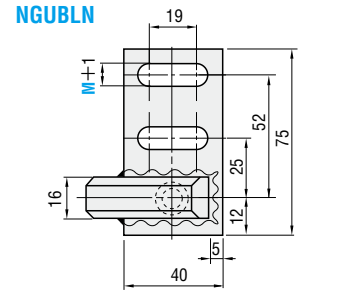


NGUBL

NGUBRN



NGUBLN



This product was discontinued in 2017.
Catalog No. : NGUBR NGUBL

Ⓜ H is the dimension prior to R60 and GRC machining.
Ⓜ The guide ① and the mounting plate ② are fastened by welding and bolting.
Ⓜ As the guide ① is made of S45C, it can be hardened by flame hardening by alteration HTC.

■ Mounting bolts and other accessories

M	A
M10	CB10—35 (2 pcs.) Spring washer for M10 (2 pcs.)
M12	CB12—35 (2 pcs.) Spring washer for M12 (2 pcs.)

Mounting orientation	Catalog No.	Ⓜ
Center	NGUA	①S45C ②SS400
R type	NGUBR (N)	
L type	NGUBL (N)	

Ⓜ Alteration "WSS": Use this

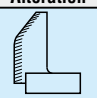
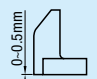

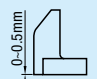
Catalog No.	5mm increments				Mounting bolt hole M	Base unit price 1~9 pieces			
	L	H	S	X (S-X) ≥ 30		Y (L-Y) ≥ 40	NGUA · NGUBR · NGUBL	NGUBRN · NGUBLN	NGUBLN
NGUA	75~100	20~40	50~100	20~70	M10	50~75	80~100	50~75	80~100
NGUBR	105~150					50~75	80~100	50~75	80~100
NGUBL	105~150					50~75	80~100	50~75	80~100
NGUBRN	155~200					50~75	80~100	50~75	80~100
NGUBLN	155~200	50~75	80~100	50~75	80~100				



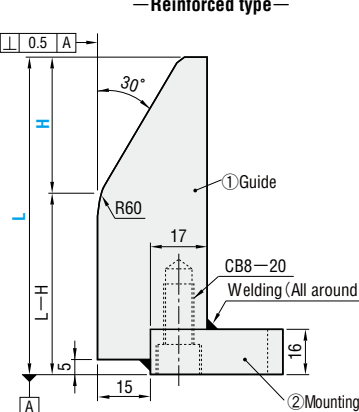
Order Catalog No. — L — H — S — X — Y — M
 NGUA — 90 — 40 — S60 — X30 — Y40 — M10

Price **Quotation**

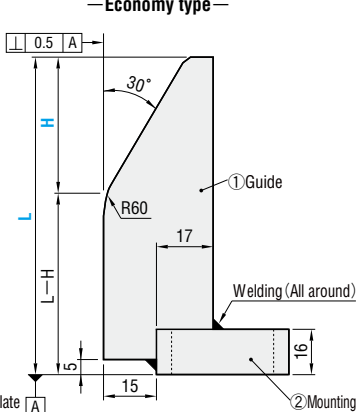
Days to Ship **Quotation**

Alterations Catalog No. — L — H — S — X — Y — M — (HTC-GRC-WSS-ENT-BS)
 NGUBLN — 150 — 40 — S70 — X35 — Y85 — M12 — GRC20 — WSS

Alteration	Code	Spec.	1Code
	HTC	① The guide is hardened. ② ~ 45HRC	Quotation
	GRC	The corner R (R60) of the guide is reduced. R10 ~ 30 10mm increments	Quotation
	WSS	Provided spring washers are changed to washers for oblong holes WSS (2 pcs.). Can be used for NGUA, NGUBRN, and NGUBLN only.	Quotation
	ENT	① The lower of a guide is extended. ② Height at the bottom is united with an mounting plate.	Quotation

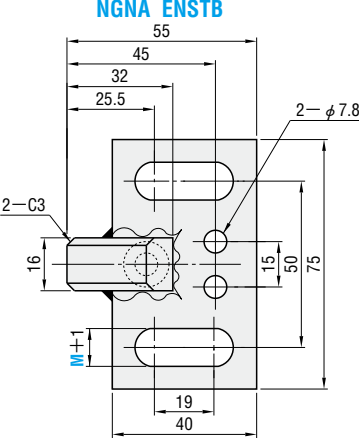




Reinforced type

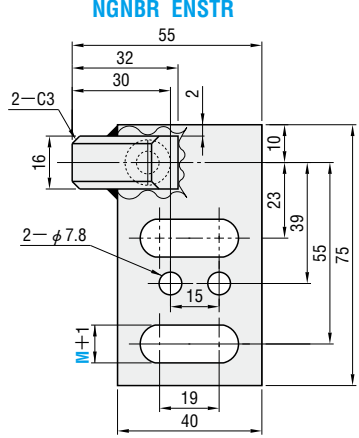


Economy type

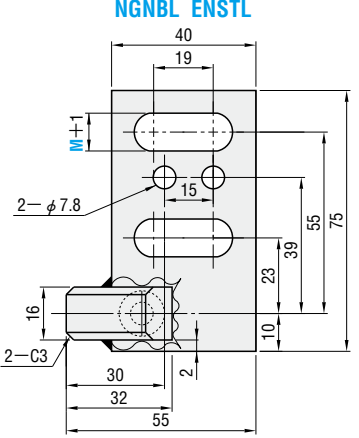
NGNA ENSTB



NGNBR ENSTR



NGNBL ENSTL



Ⓜ H is the dimension at R60, before GRC machining.

■ Mounting bolts and other accessories

M	A
M10	CB10—35 (2 pcs.) Spring washer for M10 (2 pcs.)
M12	CB12—35 (2 pcs.) Spring washer for M12 (2 pcs.)

Type	Mounting orientation	Catalog No.	Ⓜ
Reinforced type	Center	NGNA	①S45C ②SS400
	R type	NGNBR	
	L type	NGNBL	

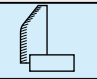
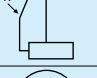
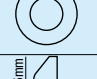
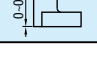
Type	Mounting orientation	Catalog No.	Ⓜ
Economy type	Center	ENSTB	①SS400 ②SS400
	R type	ENSTR	
	L type	ENSTL	

Catalog No.	5mm increments		Mounting bolt hole M	Base unit price 1~9 pieces
	L	H		
NGNA NGNBR NGNBL	65~100	20~40	M10	Quotation
	105~150			
	155~200			
	205~250			
	255~300			
305~350				

Ⓜ The guide ① and the mounting plate ② are fastened by welding and bolting.
 Ⓜ As the guide ① is made of S45C, it can be hardened by flame hardening by alteration HTC.

Order Catalog No. — L — H — M — (HTC-GRC-WSS-ENT)
 NGNBL — 120 — 35 — M12 — HTC-WSS

Alterations

Alteration	Code	Spec.	1Code
	HTC	① The guide is hardened. ② ~ 45HRC ③ Can be used for reinforced type only.	
	GRC	The corner R (R60) of the guide is reduced. R10 ~ 30 10mm increments	Quotation
	WSS	Provided spring washers are changed to washers for oblong holes WSS (2 pcs.).	Quotation
	ENT	① The lower of a guide is extended. ② Height at the bottom is united with an mounting plate.	Quotation

Days to Ship **Quotation**

Price **Quotation**

LOCATING COMPONENTS FOR AUTOMOTIVE DIES