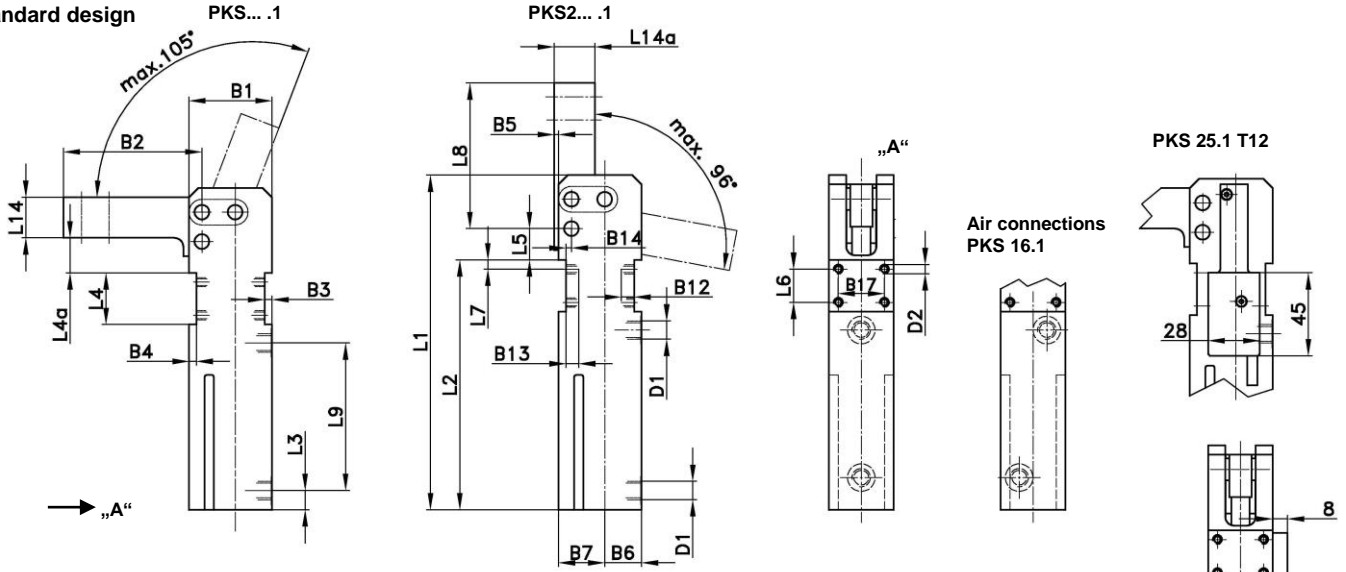


# Mini Pneumatic Power Clamp

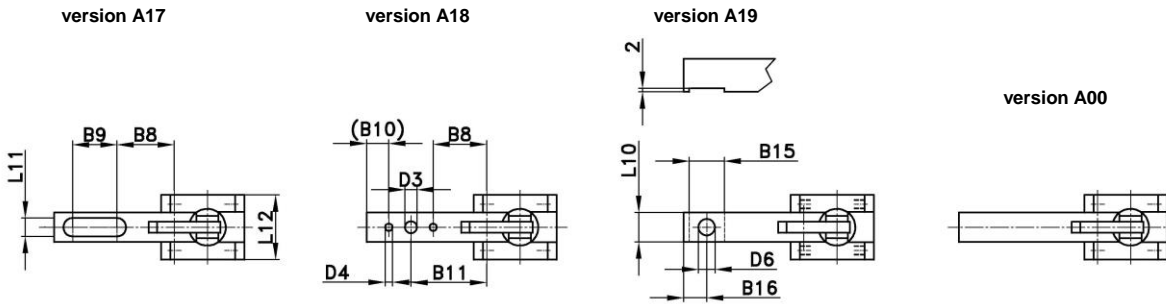
Lightweight construction, knee lever locked end position

## PKS/PKS2 16.1-25.1

Standard design

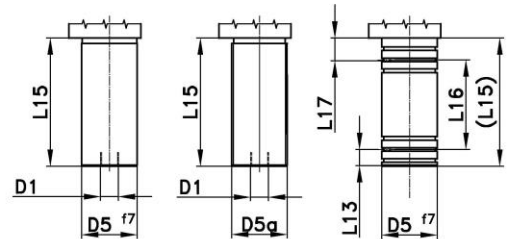


Clamp arm versions:



Further cylinder designs:

round design PKSR...    design with thread PKSG...    cartridge design PKSP...



**Ordering example:**

PKS 20.1 A17 T03 90°

PKS: Type  
 20.1: Piston Ø  
 A17: Clamp arm version  
 T03: Sensing system  
 90°: Opening angle

**Ordering example Tünkers sensing systems:**

...T03    Magnetic sensing, without magnetic switches prepared for sensing  
 (available only for standard design PKS...)  
 ...T23    Magnetic sensing, including 2 magnetic switches mounted on clamp  
 ...T23/M12    Magnetic sensing, including 2 magnetic switches with M12 connections mounted on clamp  
 ...T12    Inductive sensor (only PKS 25.1)

**Opening angles:**

45°, 60°, 75°, 90°, 96°, 105°

\*Tolerance for dowel holes ± 0.02, for threaded holes ± 0.1.

**Attention!**

External throttle check valves must be provided on assembly. They are not included in the scope of delivery.

Type	Clamping moment at 5 bar (Nm)	Holding torque max. (Nm)	Working pressure in oil-free air (bar)	Maximum pressure in oil-free air (bar)	Connection (G)	Opening and closing time (approx. sec.)	Weight (kg)
PKS 16.1	8	25	5	6	M5	1	0.3
PKS 20.1	15	54	5	6	G1/8	1	0.5
PKS 25.1	25	75	5	6	G1/8	1	0.8

Type	L1	L2	L3	L4 +0,1	L4a	L5	L6*	L7	L8	L9*	L10	L11	L12	L13*	L14	L14a	L15	L16	L17	B1	B2	B3
PKS 16.1	123	96	12	20	7.5	7.5	10	5	50	57	10	5.5	26	16	15	12	61	39	5.5	32	50	2.5
PKS 20.1	158	120	15	25	15	14	15	5	60	69	12	6.5	30	20	18	16	74	50	11	39	60	3
PKS 25.1	182	136	17.5	28	19	17	18	5	75	80	16	8.5	35	25	22	18	86	61	12	45	75	4

Type	B4	B5	B6*	B7*	B8	B9	B10	B11	B12	B13	B14	B15 +0,1	B16	B17	D1	D2	D3	D4 H7	D5 f8	D5a	D6
PKS 16.1	2,5	2	14	18	27	18	6	36	4	5	3,5	12	9	16	M5	M5	5,5	4	Ø25	M25x1,5	6,5
PKS 20.1	3	3	17	22	32	20	8	42	6	8	4	12	9	20	G1/8	M5	6,5	5	Ø30	M30x1,5	6,5
PKS 25.1	4	4	20	25	40	25	10	52,5	6	8	3	12	9	25	G1/8	M5	8,5	6	Ø35	M35x1,5	6,5