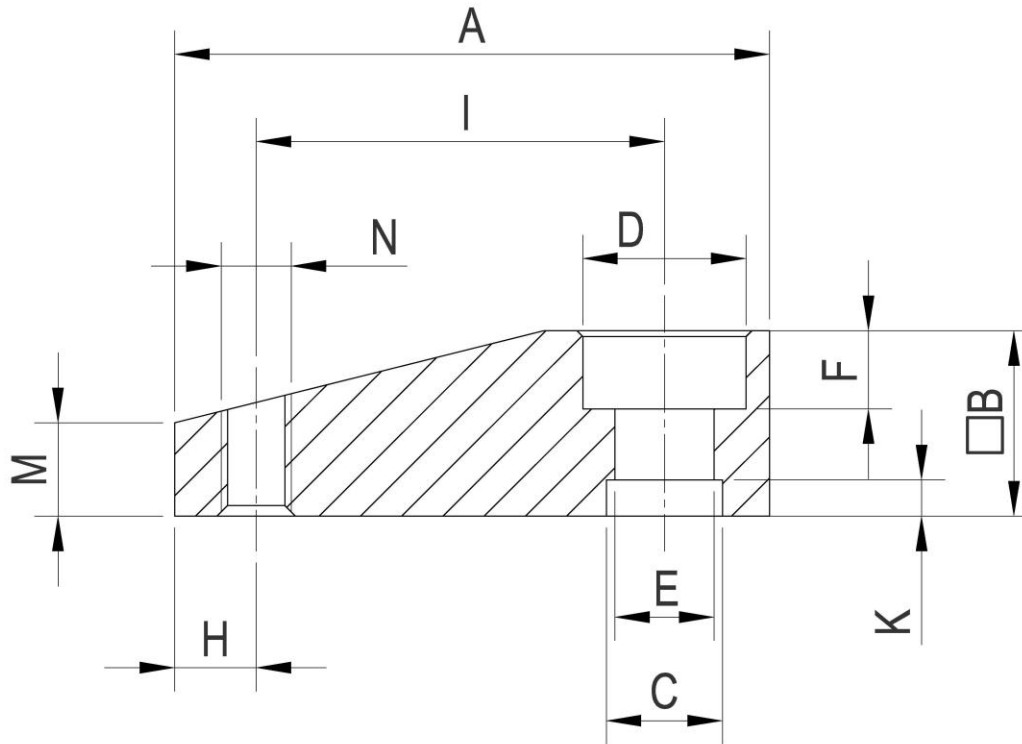


# Clamp arm

accessory for Swing Clamps SCQ

PSQS...



Type	Art. no.	A	B	C ±0,05	ØD	ØE	F	H	I	K	M	N
PSQS 25	1266524	51	16	9,97	14	8,5	7	7	35	4	8	M6 x 1
PSQS 32/40	1266525	67	22	13,97	17	10,5	9	10	45	4,5	9	M8 x 1,25
PSQS 50	1266526	88	22	16,97	19,5	12,5	13	10	65	4,5	13	M10 x 1,5