


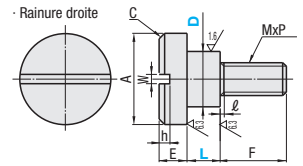
# Pivots

## Sélectionnable

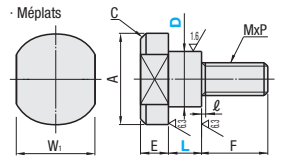


| Rainure                             |                   | Six pans creux                      |                   | Méplats                             |                                     | Tête hexagonale                     |                                     | Matériau         | Dureté   | Traitement de surface |
|-------------------------------------|-------------------|-------------------------------------|-------------------|-------------------------------------|-------------------------------------|-------------------------------------|-------------------------------------|------------------|----------|-----------------------|
| Niveau standard                     | Taux de précision | Niveau standard                     | Taux de précision | Niveau standard                     | Niveau standard                     | Niveau standard                     | Niveau standard                     |                  |          |                       |
| D <sup>-0.01</sup> <sub>-0.05</sub> | Dg6               | D <sup>-0.01</sup> <sub>-0.05</sub> | Dg6               | D <sup>-0.01</sup> <sub>-0.05</sub> | D <sup>-0.01</sup> <sub>-0.05</sub> | D <sup>-0.01</sup> <sub>-0.05</sub> | D <sup>-0.01</sup> <sub>-0.05</sub> | EN 1.1191 Equiv. | 40-45HRC | Oxydé noir            |
| <b>CBB</b>                          |                   | <b>CBDBR</b>                        | <b>CBDGBR</b>     | <b>CBDW</b>                         | <b>CBDBL</b>                        |                                     |                                     |                  |          |                       |
| <b>CBBDH</b>                        |                   | <b>CBDBRH</b>                       |                   | <b>CBDBWH</b>                       |                                     |                                     |                                     |                  |          |                       |
| <b>CBD</b>                          | <b>CBDG</b>       | <b>CBDR</b>                         | <b>CBDGR</b>      | <b>CBW</b>                          | <b>CBDL</b>                         |                                     |                                     | EN 1.4305 Equiv. |          |                       |

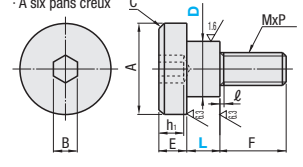
· Rainure droite



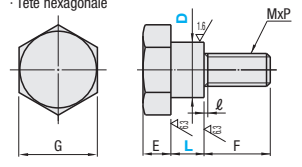
· Méplats



· A six pans creux



· Tête hexagonale



25 / ( 6.3 / 1.6 / )

| Niveau de précision |                  |
|---------------------|------------------|
| Tolérance D (g6)    |                  |
| 4-6                 | -0.004<br>-0.012 |
| 8, 10               | -0.005<br>-0.014 |
| 12-15               | -0.006<br>-0.017 |

■ Tolérance de la dimension L

| Standard   |                |
|------------|----------------|
| Non trempé | +0.15<br>+0.05 |
| Trempé     | +0.2<br>0      |

| Référence pièce            |                            | D  | Sélection L            | A  | E       |                                 | MxP (normal) | F  | ℓ   | W   | B   | h   | h <sub>1</sub> | C   | W <sub>1</sub> | G  |
|----------------------------|----------------------------|----|------------------------|----|---------|---------------------------------|--------------|----|-----|-----|-----|-----|----------------|-----|----------------|----|
| Type                       |                            |    |                        |    | Rainure | Tête à six pans creux à méplats |              |    |     |     |     |     |                |     |                |    |
| Rainure droite (standard)  | Méplats (standard)         | 4  | 1 2 3 4 5 6 7 8        | 6  | 2       | 3.5                             | 2.6x0.45     | 4  | 0.8 | 0.8 | 2   | 1   | 2              | 0.5 | 5              | 7  |
| <b>CBB</b>                 | <b>CBDBW</b>               | 5  | 1 2 3 4 5 6 7 8 10     | 8  | 2       | 4                               | 3x0.5        | 6  | 1   | 2.5 | 2.5 | 0.5 | 0.5            | 7   | 8              | 8  |
| <b>CBBDH</b>               | <b>CBDBWH</b>              |    |                        |    |         |                                 |              |    |     |     |     |     |                |     |                |    |
| <b>CBD</b>                 | <b>CBDW</b>                | 6  | 2 3 4 5 6 7 8 10       | 10 | 2.5     | 4                               | 4x0.7        | 8  | 1.2 | 1.2 | 3   | 1.5 | 3              | 8   | 10             | 10 |
| Rainure droite (précision) |                            | 8  | 5 6 7 8 9 10 12 20     | 12 | 3       | 4.5                             | 5x0.8        | 10 | 1.4 | 1.2 | 4   | 1.5 | 3.5            | 10  | 13             | 13 |
| Six pans creux (standard)  | Tête hexagonale (standard) | 10 | 5 6 7 8 9 10 12 15 20  | 16 | 4       | 5                               | 6x1.0        | 12 | 1.5 | 1.4 | 5   | 1.8 | 4              | 13  | 17             | 17 |
| <b>CBDBR</b>               | <b>CBDBL</b>               | 12 | 6 7 8 9 10 12 13 15 20 | 18 | 5       | 5                               | 8x1.25       | 12 | 1.5 | 1.5 | 5   | 2   | 4              | 14  | 19             | 19 |
| <b>CBDBRH</b>              | <b>CBDR</b>                |    |                        |    |         |                                 |              |    |     |     |     |     |                |     |                |    |
| <b>CBDR</b>                | <b>CBDR</b>                |    |                        |    |         |                                 |              |    |     |     |     |     |                |     |                |    |
| Six pans creux (précision) |                            |    |                        |    |         |                                 |              |    |     |     |     |     |                |     |                |    |
| <b>CBDGBR</b>              | <b>CBDL</b>                |    |                        |    |         |                                 |              |    |     |     |     |     |                |     |                |    |
| <b>CBDGR</b>               |                            |    |                        |    |         |                                 |              |    |     |     |     |     |                |     |                |    |

⚡ Pour type à six pans creux, L≥5

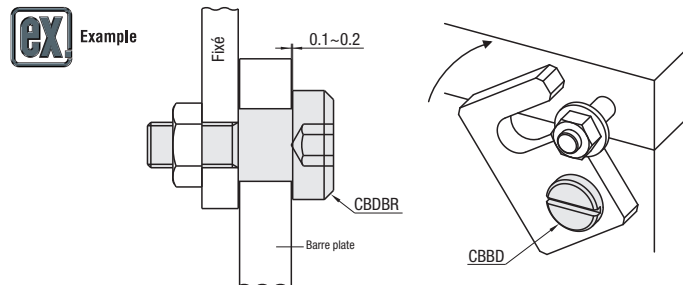
Ordering Example

Référence pièce - L

**CBD6** - 10


**CBDGBR8** - 12

| D  | Prix unitaire |       |     |      |                |        |      |        |         |       |        |                 |       |
|----|---------------|-------|-----|------|----------------|--------|------|--------|---------|-------|--------|-----------------|-------|
|    | Rainure       |       |     |      | Six pans creux |        |      |        | Méplats |       |        | Tête hexagonale |       |
|    | CBB           | CBBDH | CBD | CBDG | CBDBR          | CBDBRH | CBDR | CBDGBR | CBDGR   | CBDBW | CBDBWH | CBW             | CBDBL |
| 4  |               |       |     |      |                |        |      |        |         |       |        |                 |       |
| 5  |               |       |     |      |                |        |      |        |         |       |        |                 |       |
| 6  |               |       |     |      |                |        |      |        |         |       |        |                 |       |
| 8  |               |       |     |      |                |        |      |        |         |       |        |                 |       |
| 10 |               |       |     |      |                |        |      |        |         |       |        |                 |       |
| 12 |               |       |     |      |                |        |      |        |         |       |        |                 |       |



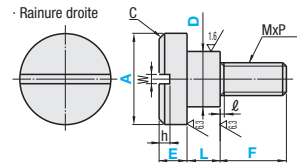
# Pivots

## Configurable

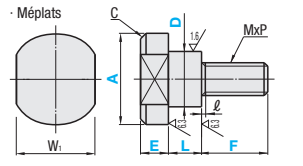


| Rainure                             |                   | Six pans creux                      |                   | Méplats                             |                                     | Tête hexagonale                     |                                     | Matériau         | Dureté   | Traitement de surface |
|-------------------------------------|-------------------|-------------------------------------|-------------------|-------------------------------------|-------------------------------------|-------------------------------------|-------------------------------------|------------------|----------|-----------------------|
| Niveau standard                     | Taux de précision | Niveau standard                     | Taux de précision | Niveau standard                     | Niveau standard                     | Niveau standard                     | Niveau standard                     |                  |          |                       |
| D <sup>-0.01</sup> <sub>-0.05</sub> | Dg6               | D <sup>-0.01</sup> <sub>-0.05</sub> | Dg6               | D <sup>-0.01</sup> <sub>-0.05</sub> | D <sup>-0.01</sup> <sub>-0.05</sub> | D <sup>-0.01</sup> <sub>-0.05</sub> | D <sup>-0.01</sup> <sub>-0.05</sub> | EN 1.1191 Equiv. | 40-45HRC | Oxydé noir            |
| <b>FCBB</b>                         |                   | <b>FCBDBR</b>                       | <b>FCBDGBR</b>    | <b>FCBDW</b>                        | <b>FCBDBL</b>                       |                                     |                                     |                  |          |                       |
| <b>FCBBDH</b>                       |                   | <b>FCBDBRH</b>                      |                   | <b>FCBDBWH</b>                      |                                     |                                     |                                     |                  |          |                       |
| <b>FCBD</b>                         | <b>FCBDG</b>      | <b>FCBDR</b>                        | <b>FCBDGR</b>     | <b>FCBW</b>                         | <b>FCBDL</b>                        |                                     |                                     | EN 1.4305 Equiv. |          |                       |

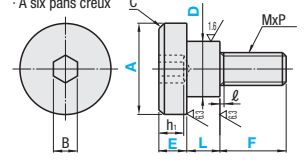
· Rainure droite



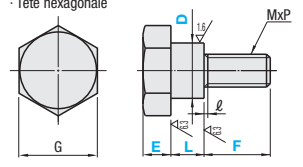
· Méplats



· A six pans creux



· Tête hexagonale



25 / ( 6.3 / 1.6 / )

| Niveau de précision |                  |
|---------------------|------------------|
| Tolérance D (g6)    |                  |
| 4-6                 | -0.004<br>-0.012 |
| 8, 10               | -0.005<br>-0.014 |
| 12-15               | -0.006<br>-0.017 |

■ Tolérance de la dimension L

| Configurable |           |
|--------------|-----------|
| Non trempé   | +0.1<br>0 |
| Trempé       | +0.2<br>0 |

| Référence pièce            |                            | D  | L=Incément de 0.1mm | Sélection A | E=Incément de 0.1mm | F=Incément de 1mm | MxP (normal) | ℓ   | W   | B | h   | h <sub>1</sub> | C   | W <sub>1</sub> | G  |         |         |       |     |     |     |   |     |    |    |    |      |
|----------------------------|----------------------------|----|---------------------|-------------|---------------------|-------------------|--------------|-----|-----|---|-----|----------------|-----|----------------|----|---------|---------|-------|-----|-----|-----|---|-----|----|----|----|------|
| Type                       |                            |    |                     |             |                     |                   |              |     |     |   |     |                |     |                |    |         |         |       |     |     |     |   |     |    |    |    |      |
| Rainure droite (standard)  | Méplats (standard)         | 4  | Rainure Méplats     | 6 8         | 2.0-4.0             | 3, 4              | 2.6x0.45     | 0.8 | 0.8 | 2 | 1   | 2              | 0.5 | 5              | 7  |         |         |       |     |     |     |   |     |    |    |    |      |
| <b>FCBB</b>                | <b>FCBDW</b>               | 5  |                     | 8 10        |                     |                   |              |     |     |   |     |                |     |                |    | 3-6     | 2.5     | 1     | 2.5 | 0.5 | 7   | 8 |     |    |    |    |      |
| <b>FCBBDH</b>              | <b>FCBDBWH</b>             | 6  |                     | 10 12       |                     |                   |              |     |     |   |     |                |     |                |    | 2.5-4.5 | 4-8     | 4x0.7 | 1.2 | 3   | 1.5 | 3 | 3.5 | 10 | 13 | 13 |      |
| <b>FCBD</b>                | <b>FCBDW</b>               | 8  |                     | 12 16       |                     |                   |              |     |     |   |     |                |     |                |    |         |         |       |     |     |     |   |     |    |    |    | 5-10 |
| Six pans creux (standard)  | Tête hexagonale (standard) | 10 | Tête hexagonale     | 16 18 20    | 3.0-5.0             | 6-12              | 6x1.0        | 1.4 | 1.4 | 4 | 1.8 | 3.5            | 1   | 13             | 17 |         |         |       |     |     |     |   |     |    |    |    |      |
| <b>FCBDBR</b>              | <b>FCBDBL</b>              | 12 |                     | 18 20 22 24 |                     |                   |              |     |     |   |     |                |     |                |    | 8-12    | 8x1.25  | 1.5   | 1.5 | 5   | 2   | 4 | 1   | 14 | 17 |    |      |
| <b>FCBDBRH</b>             | <b>FCBDR</b>               | 13 |                     | 20 22 24    |                     |                   |              |     |     |   |     |                |     |                |    | 10-15   | 10 x1.5 | -     | -   | -   | -   | - | -   | -  | -  | -  | -    |
| <b>FCBDR</b>               | <b>FCBDL</b>               | 15 |                     |             |                     |                   |              |     |     |   |     |                |     |                |    |         |         |       |     |     |     |   |     |    |    |    |      |
| Six pans creux (précision) |                            |    |                     |             |                     |                   |              |     |     |   |     |                |     |                |    |         |         |       |     |     |     |   |     |    |    |    |      |
| <b>FCBDGBR</b>             |                            |    |                     |             |                     |                   |              |     |     |   |     |                |     |                |    |         |         |       |     |     |     |   |     |    |    |    |      |
| <b>FCBDGR</b>              |                            |    |                     |             |                     |                   |              |     |     |   |     |                |     |                |    |         |         |       |     |     |     |   |     |    |    |    |      |

Conditions d'usinage ⚡FCBDBR, FCBDBRH et FCBDR, E+L≥2xh1+2 ⚡D13 et D15 ne sont pas disponibles pour les types signalés par \*.

Ordering Example

Référence pièce - L - A - E - F

**FCBBD6** - 10.0 - A10 - E2.5 - F6

**FCBD6** - 10.0 - A12 - E3.0 - F4

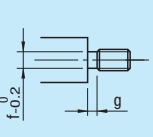
| D  | Prix unitaire |        |      |       |                |         |       |         |         |       |         |                 |        |
|----|---------------|--------|------|-------|----------------|---------|-------|---------|---------|-------|---------|-----------------|--------|
|    | Rainure       |        |      |       | Six pans creux |         |       |         | Méplats |       |         | Tête hexagonale |        |
|    | FCBB          | FCBBDH | FCBD | FCBDG | FCBDBR         | FCBDBRH | FCBDR | FCBDGBR | FCBDGR  | FCBDW | FCBDBWH | FCBW            | FCBDBL |
| 4  |               |        |      |       |                |         |       |         |         |       |         |                 |        |
| 5  |               |        |      |       |                |         |       |         |         |       |         |                 |        |
| 6  |               |        |      |       |                |         |       |         |         |       |         |                 |        |
| 8  |               |        |      |       |                |         |       |         |         |       |         |                 |        |
| 10 |               |        |      |       |                |         |       |         |         |       |         |                 |        |
| 12 |               |        |      |       |                |         |       |         |         |       |         |                 |        |
| 13 |               |        |      |       |                |         |       |         |         |       |         |                 |        |
| 15 |               |        |      |       |                |         |       |         |         |       |         |                 |        |

Alterations

Référence pièce - L - A - E - F - (PC)

**FCBBD6** - 12.6 - A10 - E3.0 - F6 - PC

**FCBD8** - 16.5 - A12 - E3.5 - F8 - PC

| Modification  | Code      | Spéc.                 |           |     |     |
|---|-----------|-----------------------|-----------|-----|-----|
|  | PC        | Ajoute un dégage à M. |           |     |     |
|   |           | D                     | MxPas     | g   | f   |
|   |           | 4                     | M2 x 0.45 |     | 1.9 |
|   |           | 5                     | M3 x 0.5  | 1.2 | 2.3 |
|   |           | 6                     | M4 x 0.7  |     | 3.2 |
|   |           | 8                     | M5 x 0.8  | 1.4 | 4.0 |
| 10  | M6 x 1.0  | 1.7                   | 4.8       |     |     |
| 12, 13  | M8 x 1.25 |                       | 6.5       |     |     |
| 15  | M10 x 1.5 | 2                     | 8.2       |     |     |