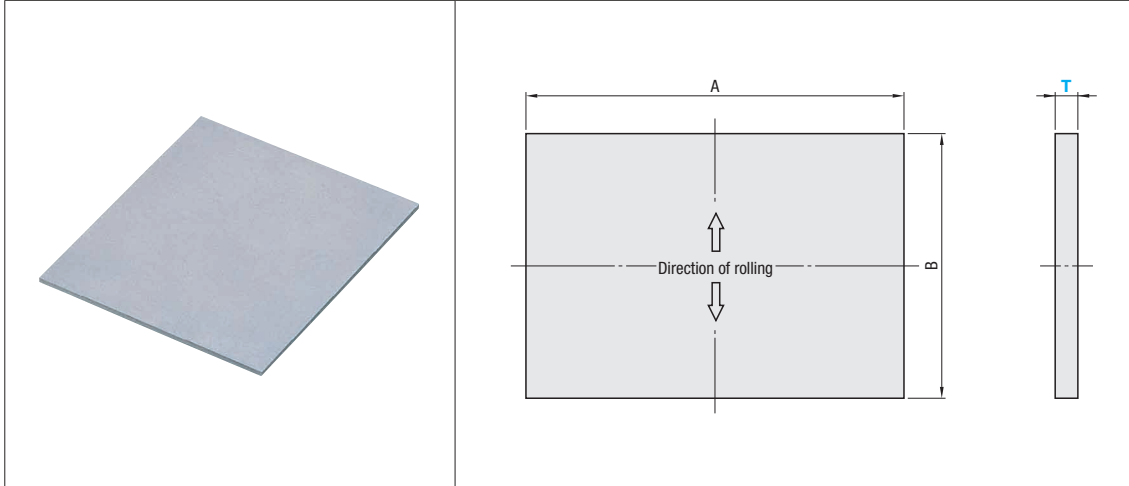


# HARDENED PLATES FOR CORE

—6 FACES GRINDED TYPE—


ⓘ Non JIS material definition is listed on P.1351 - 1352



Part Number	M	H	T	Finishing of A · B · T	Precision Standard
<b>HPSH</b>	SKH51	57~63HRC	T $\begin{smallmatrix} +0.05 \\ +0.03 \end{smallmatrix}$	Finishing of A · B · T $\sqrt[1.5]{6}$	Squareness of A/B surfaces : 0.02/100mm or less Parallelism between the top and bottom planes : 0.02/100mm or less
<b>HPHE</b>	SKH51	57~63HRC	When T ≤ 0.8 : T $\begin{smallmatrix} +0.05 \\ +0.02 \end{smallmatrix}$	Finishing of A · B · T $\sqrt[1.5]{6}$	Squareness of A/B surfaces : 0.05/100mm or less Parallelism between the top and bottom planes : When T ≤ 1.5 : 0.2/100mm or less When T ≥ 2.0 : 0.1/100mm or less
<b>HPDE</b>	SKD61	50~53HRC	When T ≥ 1.0 : T $\begin{smallmatrix} +0.3 \\ +0.1 \end{smallmatrix}$		

 Order **Part Number**  
**HPSH1**

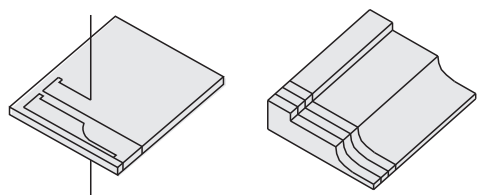
 Days to Ship **Quotation**

 Example

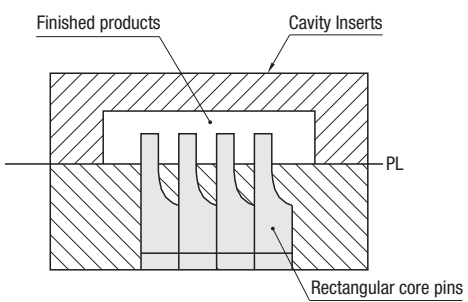
- Core pins for rectangular holes on connectors/switches, etc.
- Rectangular ejector pins, etc.

(1) Processing method

- Wire cutting
- Cut after shaping



(2) Example of Core Pin Usage



A	B	T	Part Number		U/Price					
			Type	No.	1~4	5~9	10~29	30~50		
80	$\begin{smallmatrix} +0.3 \\ +0.1 \end{smallmatrix}$	70	$\begin{smallmatrix} +0.3 \\ +0.1 \end{smallmatrix}$	<b>HPSH</b> (SKH51)		1				
						1.3				
						1.5				
						1.8				
						2				
						3				
100		80				4				
						5				
						6				
						<b>Quotation</b>				

A	B	T	Part Number		U/Price					
			Type	No.	1~4	5~9	10~29	30~50		
80	$\begin{smallmatrix} +1.0 \\ 0 \end{smallmatrix}$	70	$\begin{smallmatrix} +1.0 \\ 0 \end{smallmatrix}$	<b>HPHE</b> (SKH51)		0.5				
						0.6				
						0.8				
150	$\begin{smallmatrix} +1.0 \\ 0 \end{smallmatrix}$	60	$\begin{smallmatrix} +1.0 \\ 0 \end{smallmatrix}$			1				
						1.5				
						2				
						3				
						4				
						5				
150	$\begin{smallmatrix} +1.0 \\ 0 \end{smallmatrix}$	60	$\begin{smallmatrix} +1.0 \\ 0 \end{smallmatrix}$	<b>HPDE</b> (SKD61)		6				
						1				
						1.5				
						2				
						3				
						4				
<b>Quotation</b>										

Block Core Pin  
Cavity Inserts