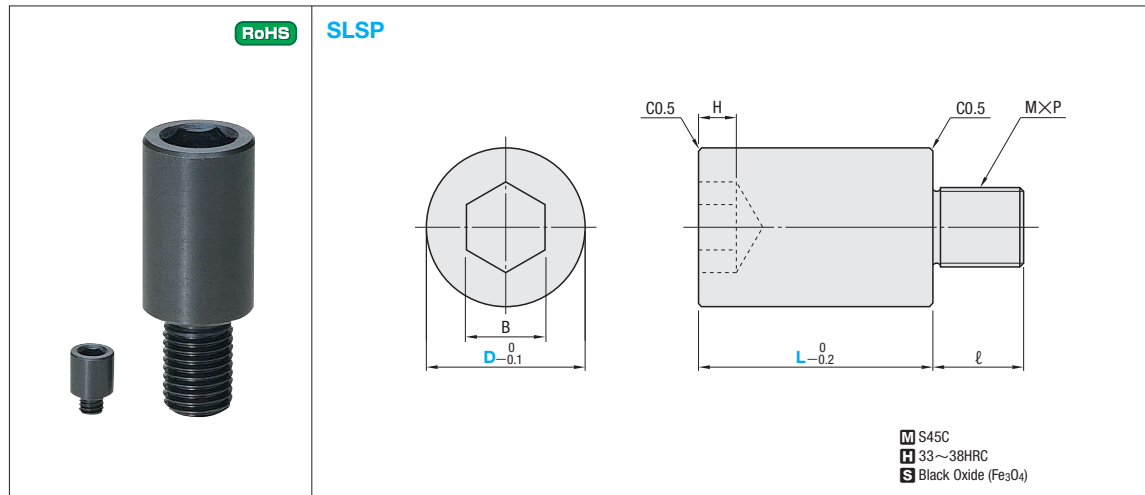


# SLIDE STOPPERS

# SLIDE CORE STOP BLOCKS

ⓘ Non JIS material definition is listed on P.1351 - 1352



M S45C  
H 33~38HRC  
S Black Oxide (Fe<sub>3</sub>O<sub>4</sub>)

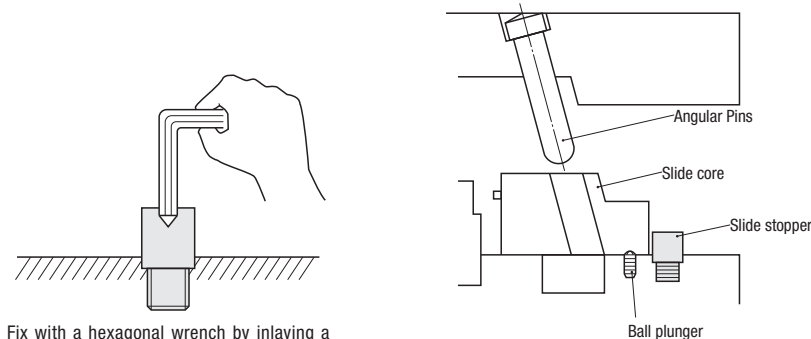
M×P (Coarse thread)	B	H	ℓ	Part Number		L						
				Type	D							
M 6×1.0	5	4	10	SLSP	10	15	20	25	30			
M10×1.5	8	5	15		16	20	25	30				
M12×1.75	10	6	18		20	20	25	30	35	40		
M16×2.0	14	9	24		25			30	35	40		

Order Part Number — L  
SLSP16 — 20

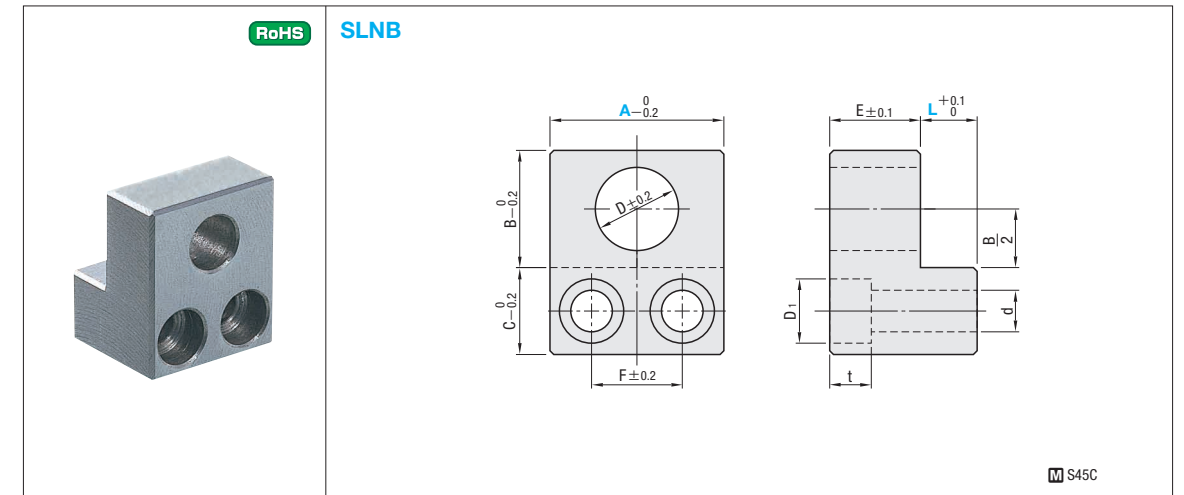
Days to Ship **Quotation**

Price **Quotation**

Example



Fix with a hexagonal wrench by inlaying a slide stopper.



M S45C

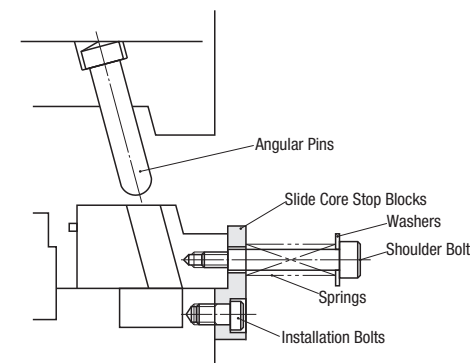
D <sub>1</sub>	d	t	F	B	C	E	D	Part Number		A	L 1mm increments	
								Type	No.			
9.5	5.5	5.5	10	20	15	15	11	SLNB	10	20	0~30	
11	6.5	6.5	15							30		
9.5	5.5	5.5	10							20		
11	6.5	6.5	15	25	20	20	14		13	30		0~50
										40		
										50		
14	9	9	20	25	20	20	17	16	40	0~50		
									50			
									60			

Order Part Number — A — L  
SLNB10 — 30 — L30

Days to Ship **Quotation**

Price **Quotation**

Example



●Applicable Bolts, Springs and Washers

No.	Shoulder Bolts	Springs	Washers	Installation Bolt
10	MSB10	SWU17 SWR17 SWS17 SWN17	SSWA17 SSWA19	A20 → CB5(M5) A30 → CB6(M6)
13	MSB13	SWU21 SWR21 SWS21 SWN21	SSWA24	A20 → CB5(M5) A30 → CB6(M6) A40~60 → CB8(M8)
16	MSB16	SWU26 SWR26 SWS26 SWN26	SSWA29	A40~60 → CB8(M8)

For shoulder bolt specifications

For spring specifications

For washer specifications

For bolt specifications

☞ P.1192

☞ P.1235~

☞ P.1198

☞ P.1185