

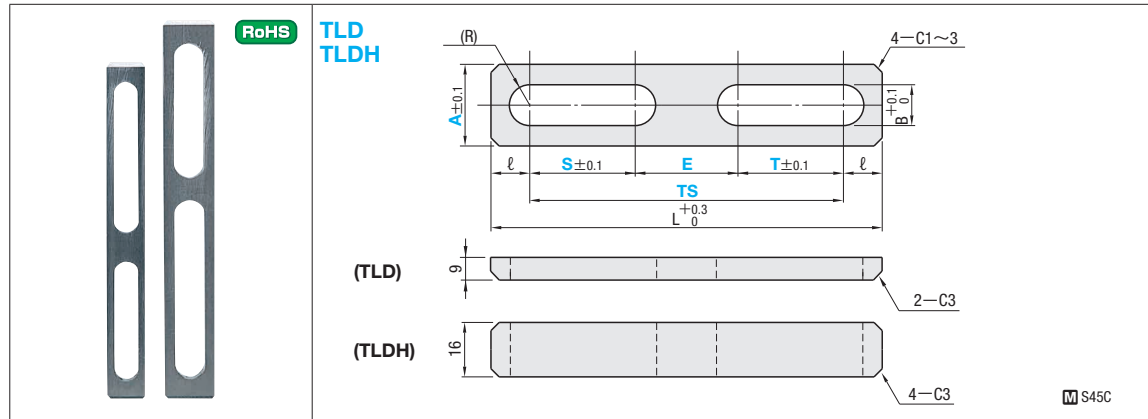
TENSION LINKS

—STROKE DESIGNATION TYPE—

SPECIAL BOLTS FOR TENSION LINK/TENSION LINK RETAINERS

—STANDARD TYPE/URETHANE TYPE—

☎ Non JIS material definition is listed on P.1351 - 1352



B	ℓ	L	Part Number	5mm increments					Part Number
			Type	A	S	E	T	TS (S+E+T)	S - E - T - TS
11	15	TS+30	TLD TLDH	19	15~130	25~235	40~140	80~290	TLD 25 - S60 - E100 - T100 - TS260
14	17.5	TS+35		25	15~135	25~245	40~140	80~300	Quotation
17	17.5	TS+35		32	25~140	25~275	50~180	105~350	
21	20	TS+40		38	25~150	30~295	50~185	115~375	

☎ Please specify TS by the same figure as the total of S+E+T.

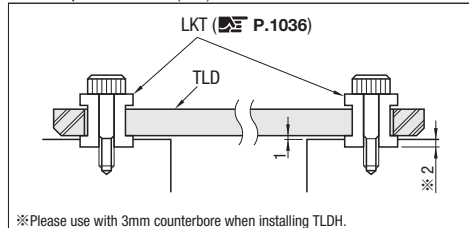
P Price **Quotation**

A Alterations Part Number - (SC) - (EC) - (TC) - (TS)
TLD25 - SC98 - EC42 - TC102 - TS242

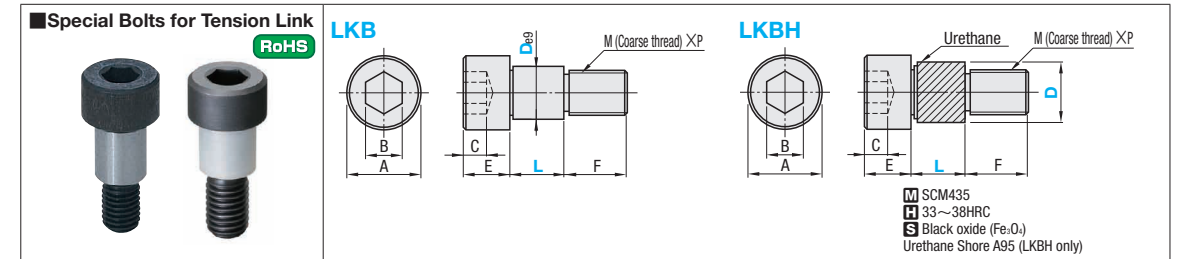
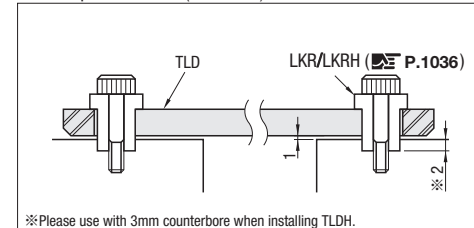
Alterations	Code	Spec.	1Code
	SC	SC=1mm increments A SC designation range 19 15<SC<130 25 15<SC<135 32 25<SC<140 38 25<SC<150	Quotation
	EC	EC=1mm increments A EC designation range 19 25<EC<235 25 25<EC<245 32 25<EC<275 38 30<EC<295	
	TC	TC=1mm increments A TC designation range 19 40<TC<140 25 40<TC<140 32 50<TC<180 38 50<TC<185	

Example of Mounting TLD · TLDH

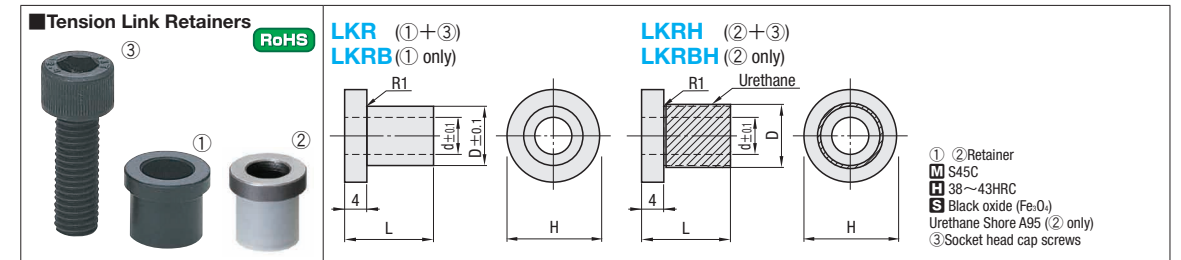
●When special retainer (LKT) is used



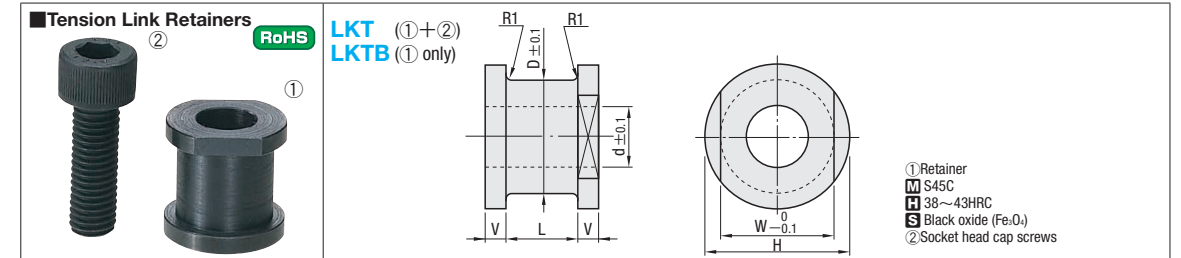
●When special retainer (LKR/LKRH) is used



De9 (LKB only)	A	B	C	E	F	M×P	Link A size	Part Number Type	D	L	U/Price for 1~9
10	16	6	4	8	12	8×1.25	19	LKB LKBH	10	13 20	Quotation
13	18	8	5	10	16	10×1.5	25		13		
16	24	10	7	14	18	12×1.75	32		16		
20	27	14	9	18	24	16×2.0	38		20		



Link A size	d	D	H	L	③ Bolt	Part Number Type	No.	U/Price 1~9
19	6.5	10	13	16	CB 6-25	LKR Retainer, bolt	10	Quotation
							10-24	
25	9	13	16	16	CB 8-30	LKRH Retainer, bolt	13	Quotation
							13-24	
							16	
							16-24	
32	11	16	19	16	CB10-30	LKRH Retainer, bolt	20	Quotation
							20-24	
							16	
							16-24	
38	13	20	23	24	CB12-35	LKRH Retainer, bolt	20	Quotation
							20-24	
							16	
							16-24	



Link A size	d	D · W	H	L	V	② Bolt	Part Number Type	No.	U/Price 1~9
19	6.5	10	16	11	3	CB 6-30	LKT Retainer, bolt	10	Quotation
								10-18	
25	9	13	19	11	3	CB 8-35	LKT Retainer, bolt	13	Quotation
								13-18	
								16	
								16-18	
32	11	16	22	11	3	CB10-35	LKT Retainer, bolt	20	Quotation
								20-18	
								16	
								16-18	
38	13	20	26	11	3	CB12-40	LKT Retainer, bolt	20	Quotation
								20-18	
								16	
								16-18	

How to Mount P.1032

Order Part Number - L
LKB 13 - 20

☎ Features Urethane type (LKBH/LKRH/LKRHB) is obtained by fitting urethane into standard type. (D dimension is made the same as conventional products.) Use for soundproofing when the mold is being opened.

D Days to Ship **Quotation**

P Price **Quotation**

Mold Operating Controllers