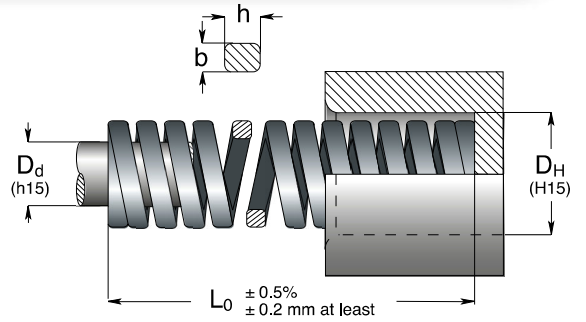


# Super-strong load springs

- ISWT -

## Rectangular Wire



Catalog-No.	$D_H$		$D_d$	$L_0$	R	F max.				
	Hole Diameter					Free Length	Spring Rate	mm	N	
	b x h		mm	mm	mm	N/mm	mm			N
ISWT10-20	10	5	2.1 x 4	20	580.0	2.2	1250			
ISWT10-30				30	360.0	3.5				
ISWT10-40				40	260.0	4.8				
ISWT10-50				50	200.0	6.0				
ISWT13-20	12.5	6.3	2.65 x 5.35	20	970.0	2.4	2000			
ISWT13-30				30	590.0	3.3				
ISWT13-40				40	400.0	5.0				
ISWT13-50				50	320.0	6.0				
ISWT16-20	16	8	3.4 x 6.9	20	1650.0	2.1	3500			
ISWT16-35				35	920.0	3.8				
ISWT16-50				50	580.0	6.0				
ISWT16-75				75	410.0	8.5				
ISWT19-25	19	10	4.1 x 8.3	25	2270.0	2.2	5000			
ISWT19-40				40	1160.0	4.3				
ISWT19-50				50	830.0	6.0				
ISWT19-75				75	500.0	10.0				
ISWT25-30	25	12.5	6 x 11	30	4550.0	2.2	10000			
ISWT25-50				50	2000.0	5.0				
ISWT25-60				60	1500.0	6.5				
ISWT25-75				75	1250.0	8.0				
ISWT25-100	25	12.5	6 x 11	100	900.0	11.1	15000			
ISWT25-125				125	710.0	14.0				
ISWT32-35				32	16	7.4 x 13		35	5360.0	2.8
ISWT32-50								50	3000.0	5.0
ISWT32-75	75	1670.0	9.0							
ISWT32-100	100	1200.0	12.5							
ISWT32-125	32	16	7.4 x 13	125	940.0	16.0	20000			
ISWT32-150				150	810.0	18.5				
ISWT38-40				38	20	8.25 x 16		40	5710.0	3.5
ISWT38-50								50	4000.0	5.0
ISWT38-75	75	2220.0	9.0							
ISWT38-100	100	1540.0	13.0							
ISWT38-150	38	20	8.25 x 16	150	1050.0	19.0	35000			
ISWT38-200				200	740.0	27.0				
ISWT50-60				50	25	11.8 x 17.8		60	4605.0	7.6
ISWT50-75								75	3932.0	8.9
ISWT50-100	100	2650.0	13.2							
ISWT50-125	125	2000.0	17.5							
ISWT50-150	50	25	11.8 x 17.8	150	1605.0	21.8				
ISWT50-200				200	1167.0	30.0				