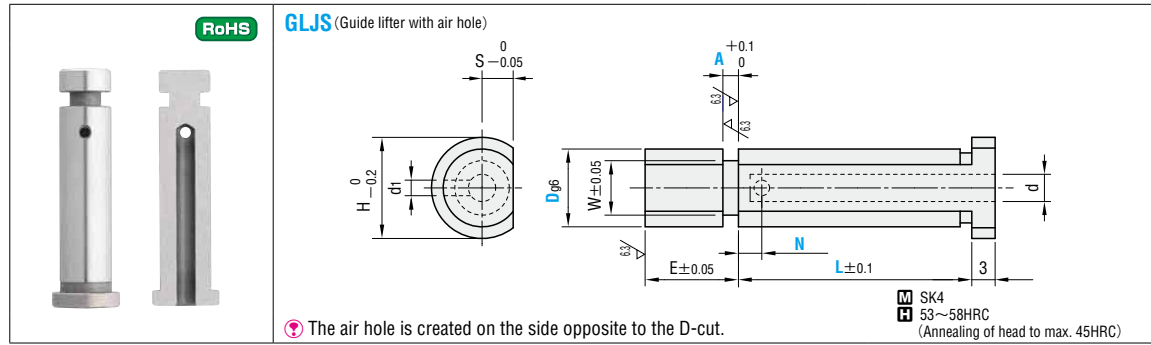


GUIDE LIFTERS / LIFTER PINS WITH AIR HOLES

— AIR HOLE TYPE —



Dg6	W	H	E	d	d1	S	Catalog No.		L	N 1mm increments	A	Base unit price 1~29 pieces
							Type	D				
4	-0.004	2.0	6	5	2.0	1.75	GLJS	4	10 15 20 22 25 28 30 33 35 36 40 45 50	0.5 0.8 1.0	Quotation	
6	-0.012	3.6	8	7	2.5	2		6	15 20 22 25 28 30 33 35 36 40 45 50 55	0.5 0.8 1.0 1.6		
8	-0.005	5.0	10	7	3.5	2.0		8	20 22 25 28 30 33 35 36 40 45 50 55	1.0 1.6 2.0		
10	-0.014	6.0	13	4	4.5	2.5		10	30 33 35 36 40 45 50 55 60 70	1.6 2.0 2.5		
13	-0.006	7.0	16	5	4.5	2.5		13		2.0 2.5 3.6		
16	-0.017	8.0	19	12	4.5	2.5	16		2.0 2.5 4.0			

Order **Catalog No.** - L - N - A
GLJS 8 - 30 - 3 - 1.6

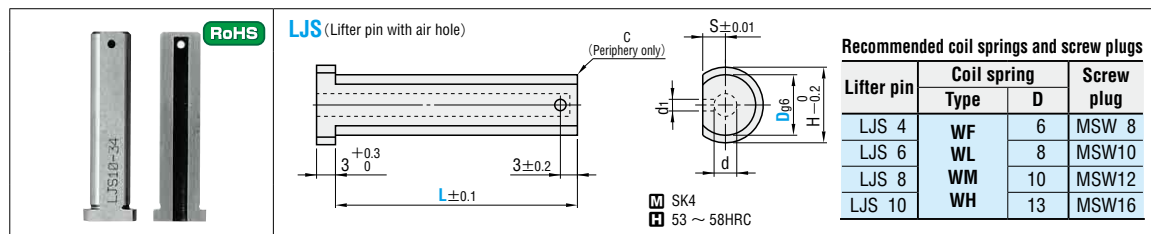
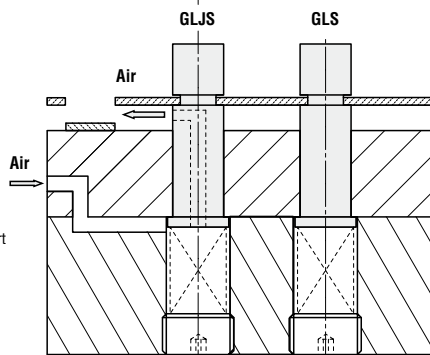
Example **EX**



Days to Ship **Quotation**

Price **Quotation**

- Use a guide lifter with air hole to resolve problems arising from lack of space.
- A reliable jet of air can be blown from a short distance away.



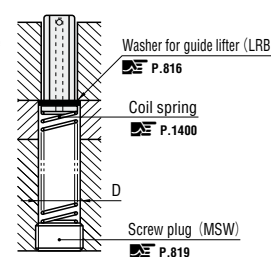
Dg6	H	d	d1	S	C	Catalog No.		L	Base unit price 1~19 pieces
						Type	D		
4	-0.004	6	2.0	1.5	1.75	LJS	4	25 28 30 34 40	Quotation
6	-0.012	8	2.5	2	2		6		
8	-0.005	10	3.5	2.0	3		8		
10	-0.014	13	4	0.5	4		10		

Order **Catalog No.** - L
LJS 8 - 30

Days to Ship **Quotation**

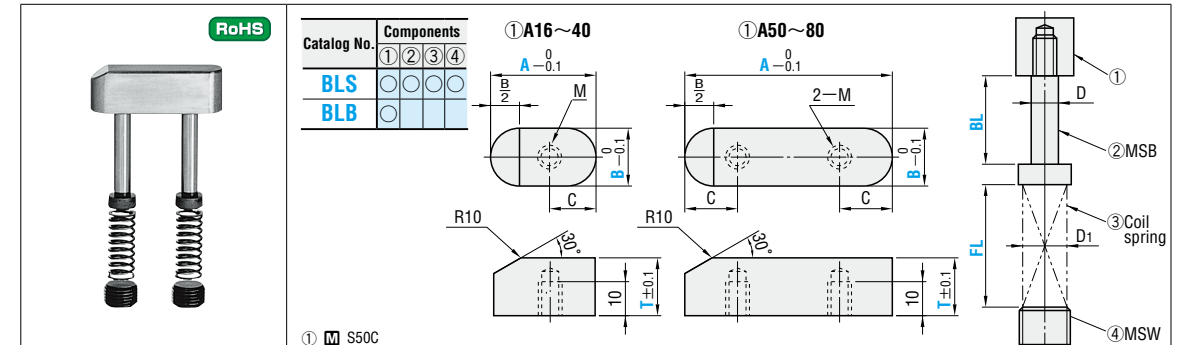
Price **Quotation**

Example **EX**



BLOCK LIFTER SETS / BLOCK LIFTERS

— DETACHABLE TYPE —



MSB	D	D1	MSW	Catalog No.		C	8	10	15	20	10	15	15	20	T	BL	COIL SPRINGS	
				Type	B												A	Type
5	6.5	10	12	BLS (1)(2)(3)(4) BLB (1)	8	16	20	30	40	50	60	70	80	16	15	WF	30	
					10	20									20	20	WL	35
					13										22	25	WM	40
					16										25	30	WH	45
6	8	13	16		20									28	35		50	
															40			60
																		70

For details of (2), (3), and (4), refer to P.823 (MSB (2)), P.1400~ (Coil springs (3)), and P.819 (MSW (4)).

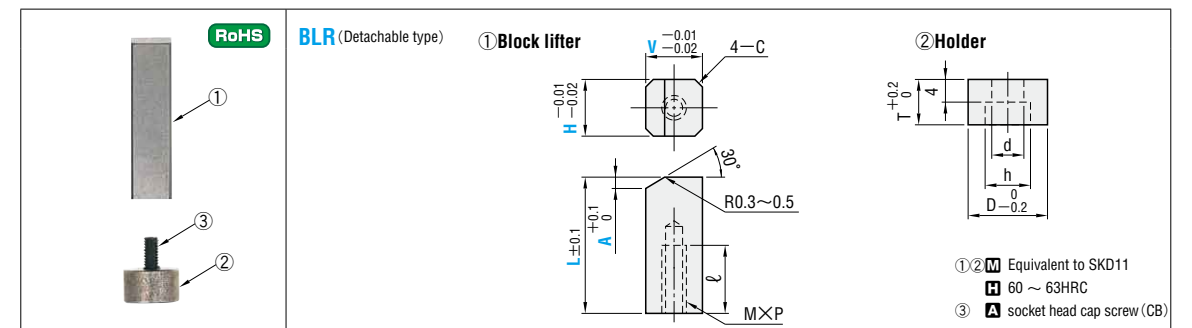
Order **Catalog No.** - A - T - BL - (3) Price **Quotation**
BLS 16 - 60 - T20 - BL25 - WM30
BLB 13 - 50 - T22

Days to Ship **Quotation**

Alterations **Catalog No.** - A - T - BL - (3) - (WC)
BLS 16 - 60 - T20 - BL25 - WM30 - WC
BLB 13 - 50 - T22 - WC

Alteration	Code	Spec.	1Code
R10	WC	Addition of taper to both sides	Quotation

B	A	Base unit price 1~19 pieces	
		BLS	BLB
8	16		
	20		
	20		
10	30		
	40		
	50		
13	40		
	50		
	60		
16	50		
	60		
	70		
20	60		
	70		
	80		



C	MxP	l	D	d	T	h	(3) Provided bolt	Catalog No.	V	H	L	A	Base unit price 1~19 pieces
0.5	3x0.5	9	10	4	7	6.5	CB3-10	BLR	6	6	20.0~60.0	0.5~3.6	Quotation
	4x0.7	12	14	5	8	8	CB4-12		8	8			
	5x0.8	15	18	6	9	9.5	CB5-15		10	10			
0.8									13	13			

Order **Catalog No.** - V - H - L - A
BLR 08 08 - 40.0 - 1.5

Price **Quotation**

Days to Ship **Quotation**

Example **EX** P.849