

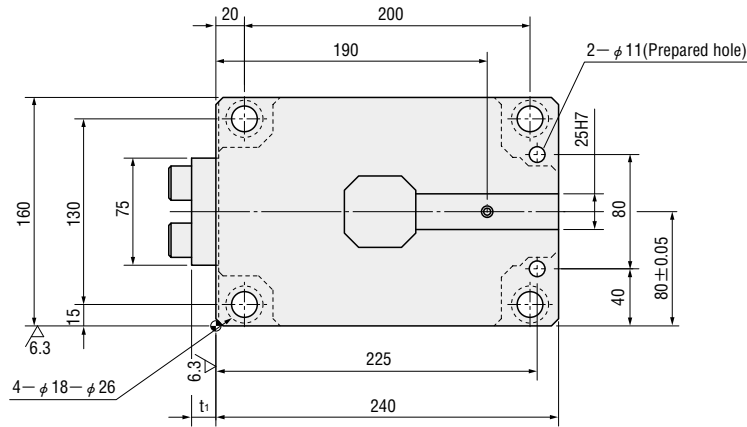


# FLYING CAM UNITS FOR TRIM & FLANGE

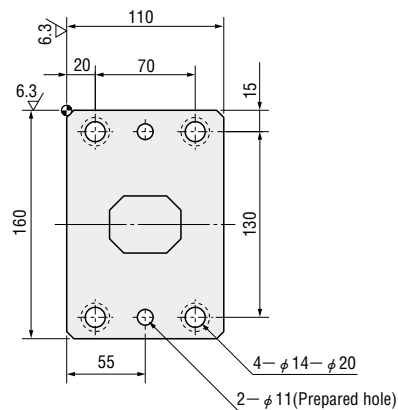
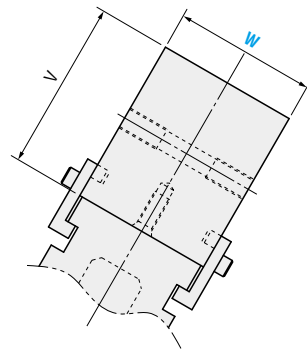
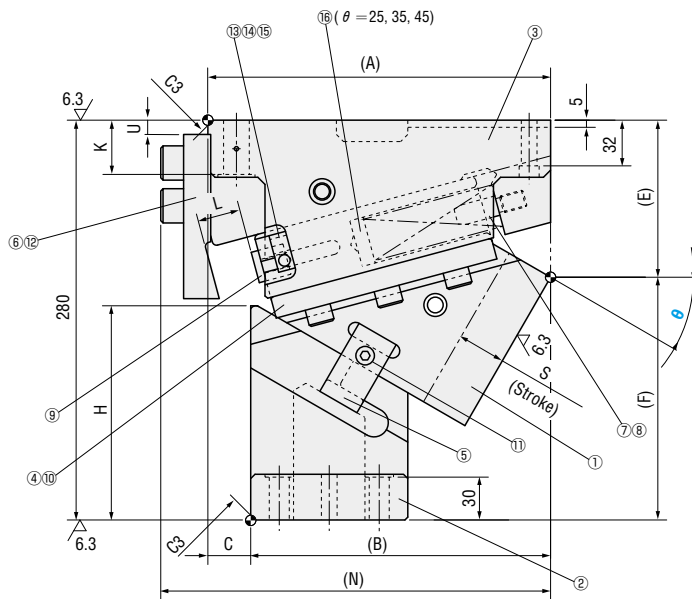
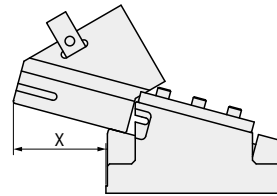
—MGFTT · MEFTT—



**MGFTT100**  
**MEFTT100**(Economy type)



■ Rear removal space



■ Components table P.1247

W	θ	A	B	C	E	F	H	K	L	N	V	U	t <sub>1</sub>	X			
100	00	240	180	60	85	195	95	38	40	273	100	55	17	83			
	05	236.89	176.89		73.82	206.18	81.1			269.89	140						
	10	240	180		90	190	120.2			273	100						
	15	254.35	194.35	81.51	198.49	105.6	287.35			140							
	20	240	190	50	110	170	130		32	274	100	15	18	115			
	25	253.26	203.26		102.60	177.40	113			287.26	140						
	30	240	210	30	110	170	150		20	30	273	120	10	17	126		
	35	252.34	222.34		109.69	170.31	140				285.34	140					
	40	240	210		115	165	160				273	120					
	45	247.41	217.41	10	114.68	165.32	155			272	140	280.41		16	130		
	50	240	230		120	160	160					272				140	
	55	240	240	0	145	135	170			180	20	272		140	10	16	132
	60																
	65																
70	240	240	0	145	135	170	180	20		272	140	10		16	142		

Slide Stroke S	Working force KN (tonf)		Spring load N (kgf)			Total weight kg	Catalog No.	W	θ	
	Standard working force	Max. working force	Preload	5mm before bottom dead center	Max. load					
28.3	44.1(4.5)	88.3(9.0)	315(32.1)	2388(243.5)	2835(289.1)	47.0	MGFTT MEFTT (Economy type)	100	00	
28.4				2576(262.7)		47.8			05	
33.3			147(15.0)	2650(270.2)	3091(315.2)	44.9			10	
33.9						2657(270.9)			47.1	15
30.9			176(18.0)	2540(259.0)	2999(305.8)	44.8			20	
32.0						2558(260.8)			46.5	25
33.5						2426(247.3)			44.1	30
35.4						2452(250.0)			45.4	35
39.0						2487(253.6)			45.4	40
42.3						2514(256.3)			41.7	45
46.7						2540(259.0)			41.2	50
52.3						2567(261.7)			44.0	55
60.0						2602(265.3)			42.5	60
47.3						552(56.3)			2528(257.8)	2760(281.4)
58.5	2572(262.3)	41.8	70							

Order

Price

Days to Ship

Alterations       (HK · DK...etc.)

Alterations	Code	Spec.
	HK	Finish dowel hole on holder Only 12 or 13 can be specified φ11(Prepared hole) ⇒ φ12H7 or φ13H7
	DK	Finish dowel hole on driver Only 12 or 13 can be specified φ11(Prepared hole) ⇒ φ12H7 or φ13H7

Alterations	Code	Spec.
	HDK	Finish dowel holes on driver & holder Only 12 or 13 can be specified φ11(Prepared hole) ⇒ φ12H7 or φ13H7
	K	Add locating key (With 1 hexagon socket head cap screw M8×15)