


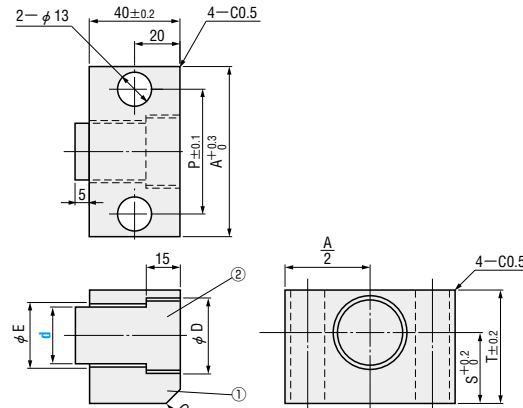


# CAM STOPPERS



# SILENCER URETHANES / URETHANE STOPPERS

**RoHS** **CCS**

① SS400  
 ② Urethane spring  
 ③ Shore A90

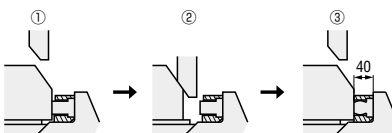
A	T	D	S	E	P	F Max. load N (kgf)	Catalog No. Type	d
70	60	35	40	30	50	5100 (520)	CCS	27
80	70	45	45	40	60	9610 (980)	CCS	36

Order **Catalog No.**  
**CCS 36**


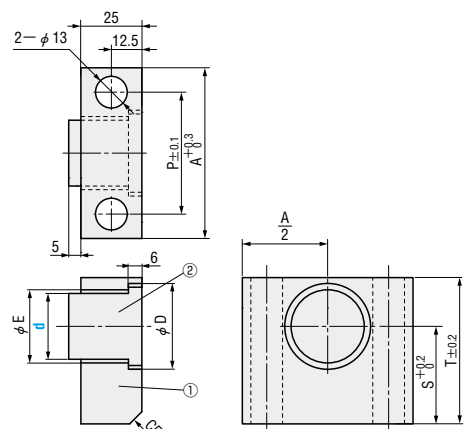
Days to Ship **Quotation**

Price **Quotation**

**ex** Example



**CSTO**

① SS400  
 ② Urethane spring  
 ③ Shore A90


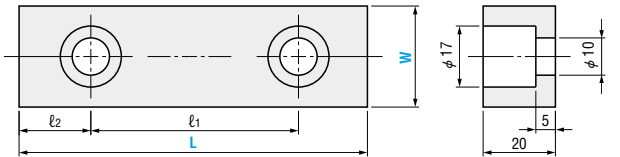
A	T	D	S	E	P	F Max. load N (kgf)	Catalog No. Type	d
70	60	35.2	40	30	50	2100 (214)	CSTO	27
80	70	45.2	45	40	60	4200 (428)	CSTO	36

Order **Catalog No.**  
**CSTO 36**


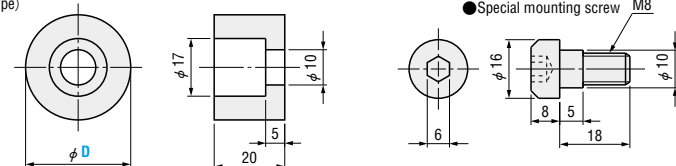
Days to Ship **Quotation**

Price **Quotation**

**RoHS** **CCUC** (Block type)

**CCUR** (Round type)

① Urethane  
 ② Shore A90  
 ③ Special mounting screw

Special installation bolt  
 ① SCM435  
 ② 33~38HRC

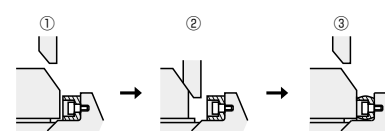
Block type (with 2 special installation bolts)

ℓ1	ℓ2	Catalog No. Type	W	L
60	20	CCUC	30	100
110	150			
140	200			

Round type (with 1 special installation bolt)

Catalog No.	
Type	D
CCUR	30

**ex** Example


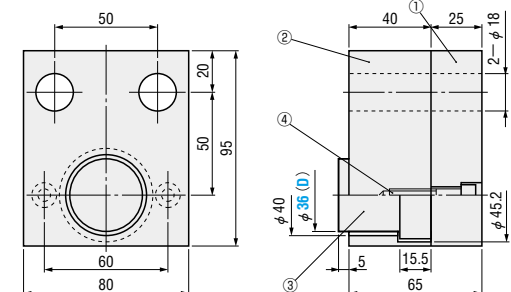


Order **Catalog No.** - L  
**CCUC 30** - 100

Days to Ship **Quotation**

Price **Quotation**

**Urethane stoppers** **CSTTU**

① Fixed plate  
 ② Base plate  
 ③ Urethane stoppers  
 ④ Hexagon socket head cap screw

① SS400  
 ② SS400  
 ③ Urethane Shore A90  
 ④ SCM435 M6×30

\* Load is 9800N when the urethane deformation is 5mm.

Catalog No.	(D)
CSTTU	36

Order **Catalog No.** (D)  
**CSTTU** 36

Days to Ship **Quotation**

Price **Quotation**