
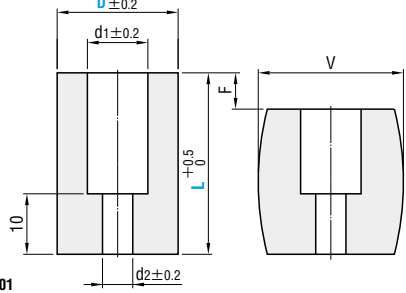


# LOW REPULSION URETHANES WITH COUNTERBORE

# LOW REPULSION URETHANE SHEETS / LOW REPULSION URETHANE DIE PADS

**RoHS** **AZN** (Standard type)

Product guide P.1501 Shore A70

F=L×10%		F=L×15%		F=L×20%		V	D	d1	d2	M	L	Catalog No.	Base unit price
F mm	Load N (kgf)	F mm	Load N (kgf)	F mm	Load N (kgf)								
2.5		3.7	4.5	5.0	6.0	29	25	11	7	M6	25	AZN25 - 25	1 ~ 19 pieces
3.0	304 (31)	4.5	442 (45)	6.0	647 (66)						30	30	
3.5		5.2		7.0							35	35	
4.0		6.0		8.0							40	40	
3.0		4.5	627 (64)	6.0	892 (91)	35	30	14	9	M8	30	AZN30 - 30	
3.5	362 (37)	5.2		7.0							35	35	
4.0		6.0		8.0							40	40	
3.0		4.5	1274 (130)	6.0	1814 (185)	46	40	18	11	M10	30	AZN40 - 30	
3.5	735 (75)	5.2		7.0							35	35	
4.0		6.0		8.0							40	40	
3.0		4.5		6.0							30	AZN50 - 30	
3.5	1117 (114)	5.2	1971 (201)	7.0	2824 (288)	57	50	20	14	M12	35	35	
4.0		6.0		8.0							40	40	
5.0		7.5		10.0							50	50	

●Load (kgf) = Load (N) × 0.101972


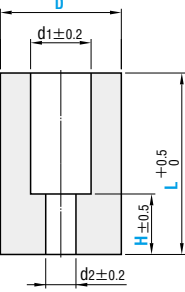
**Order** **Catalog No.**  
AZN 25-30

**Days to Ship** **Quotation**

**Price** **Quotation**

Quotation

**RoHS** **AZNX** (Configurable full length type)

D	D T
25	
30	±0.2
40	
50	±0.3

Product guide P.1501 Shore A70


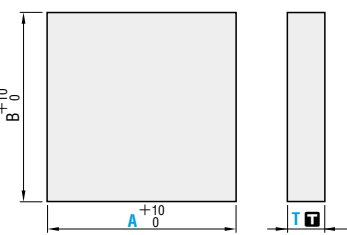
Catalog No.		L		M	H																		
Type	D	1mm increments	1mm increments																				
AZNX	25	20 ~ 60	M 6 M 8	5 ≤ H < L																			
	30																						
	40	25 ~ 100	M10 M12																				
	50																						
<table border="1"> <thead> <tr> <th>Tap M</th> <th>M</th> <th>M6</th> <th>M8</th> <th>M10</th> <th>M12</th> </tr> </thead> <tbody> <tr> <td>d1</td> <td>11</td> <td>14</td> <td>18</td> <td>20</td> <td></td> </tr> <tr> <td>d2</td> <td>7</td> <td>9</td> <td>11</td> <td>14</td> <td></td> </tr> </tbody> </table>						Tap M	M	M6	M8	M10	M12	d1	11	14	18	20		d2	7	9	11	14	
Tap M	M	M6	M8	M10	M12																		
d1	11	14	18	20																			
d2	7	9	11	14																			

**Order** **Catalog No.** - L - M - H  
AZNX 25 - 42 - M6 - 15

**Days to Ship** **Quotation**

**Price** **Quotation**

**RoHS** **UTN** (Urethane sheets)

T	T
5	±0.4
10	
15	
20	±0.5
25	
30	±1

Product guide P.1501 Shore A70

A	B	T	Catalog No.		Base unit price
			Type	T - A	
250	250	5	UTN	5 - 250	1 ~ 9 pieces
		10	10 - 250		
		15	15 - 250		
		20	20 - 250		
		25	25 - 250		
		30	30 - 250		


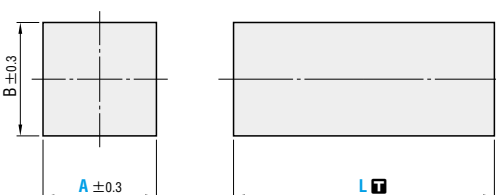
**Order** **Catalog No.**  
UTN 25-250

**Days to Ship** **Quotation**

**Price** **Quotation**

Quotation

**RoHS** **UDN** (Urethane die pads)

Product guide P.1501 Shore A70

A	B	L	T	Catalog No.		Base unit price
				Type	A - L	
25	25	50	±1	UDN	25 - 50	1 ~ 9 pieces
		100				
		300				
50	50	50	±1	UDN	50 - 50	1 ~ 9 pieces
		100				
		300				

**Order** **Catalog No.**  
UDN 25-300

**Days to Ship** **Quotation**

**Price** **Quotation**

Quotation

URETHANE SPRINGS