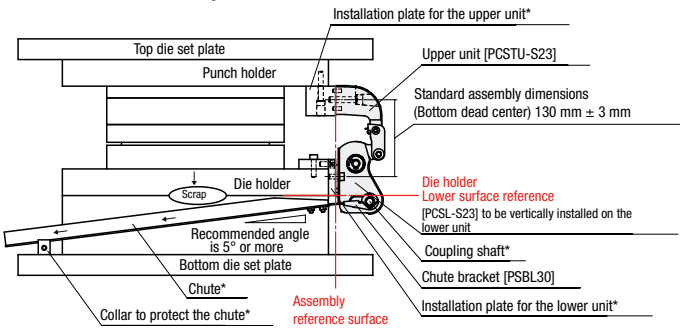
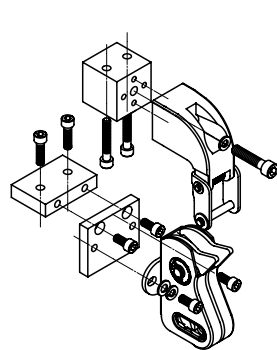


Standard installation diagram

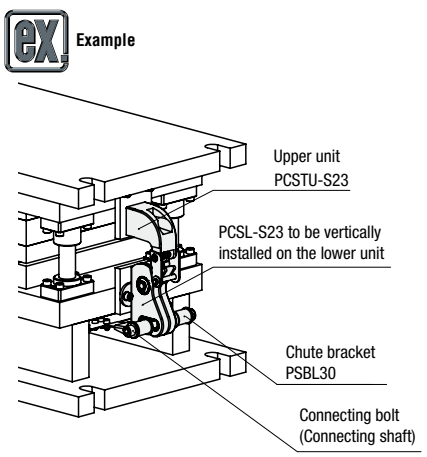


Installation structure



⊕* To be arranged by user
A rod can be used to support the chute; however, it is recommended that you use a rotating part such as collar to reduce of wear.

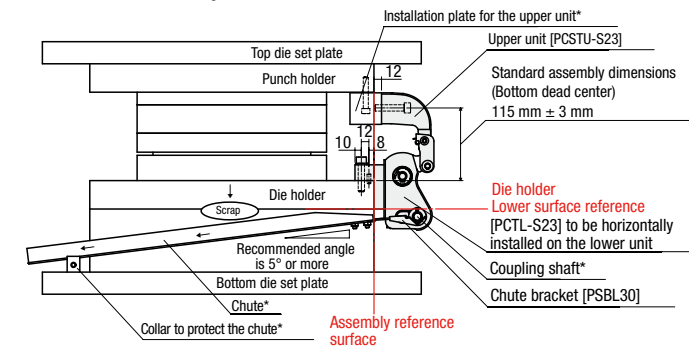
Part name	Accessory	Catalog No. Type	Base unit price
Vertical installation type Set of upper and lower units (① ②, and ③)	One spring washer (for M10) One hexagon socket head cap bolt (M10—50) Two plain washers (for M8) Two spring washers (for M8) Two hexagon socket head cap bolt (M8—18)	PCS-S23	Quotation
Vertical installation type Upper unit (②)	One spring washer (for M10) One hexagon socket head cap bolt (M10—50)	PCSTU-S23	
Vertical installation type Lower unit (①)	Two plain washers (for M8) Two spring washers (for M8) Two hexagon socket head cap bolt (M8—18)	PCSL-S23	
Chute bracket (③)	—	PSBL30	



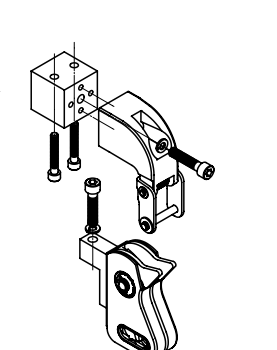
⊕Two chute brackets (③) are included in a set sales. PSBL30 (chute bracket (③)) sales per piece.

Order Catalog No. PCS-S23 Days to Ship Quotation

Standard installation diagram

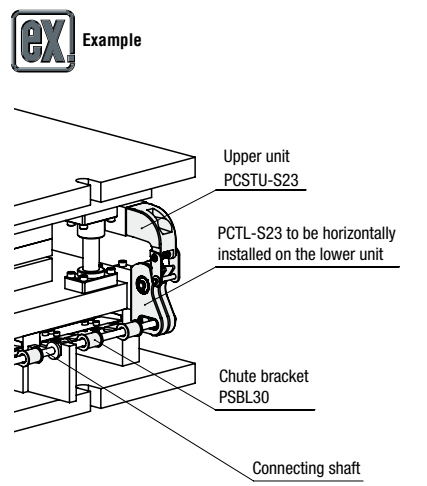


Installation structure



⊕* To be arranged by user
A rod can be used to support the chute; however, it is recommended that you use a rotating part such as collar to reduce of wear.

Part name	Accessory	Catalog No. Type	Base unit price
Horizontal installation type Set of upper and lower units (① ②, and ③)	One spring washer (for M10) One hexagon socket head cap bolt (M10—50) Two plain washers (for M10) Two spring washers (for M10) Two hexagon socket head cap bolt (M10—45)	PCT-S23	Quotation
Horizontal installation type Upper unit (②)	One spring washer (for M10) One hexagon socket head cap bolt (M10—50)	PCSTU-S23	
Horizontal installation type Lower unit (①)	Two spring washers (for M8) Two hexagon socket head cap bolt (M10—45)	PCTL-S23	
Chute bracket (③)	—	PSBL30	



⊕Two chute brackets (③) are included in a set sales. PSBL30 (chute bracket (③)) sales per piece.

Order Catalog No. PCT-S23 Days to Ship Quotation