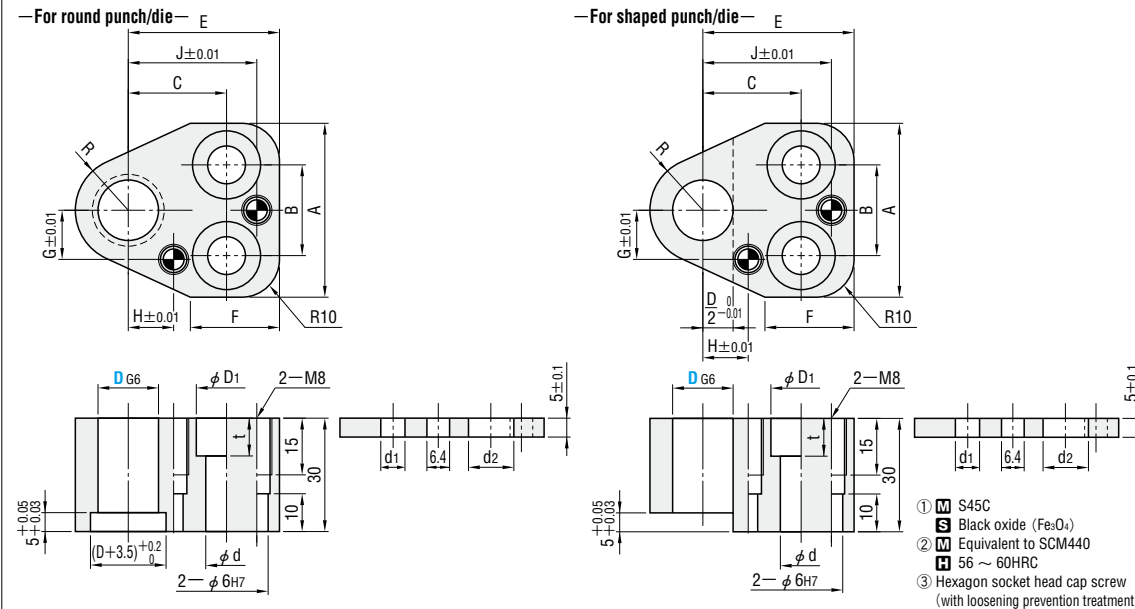
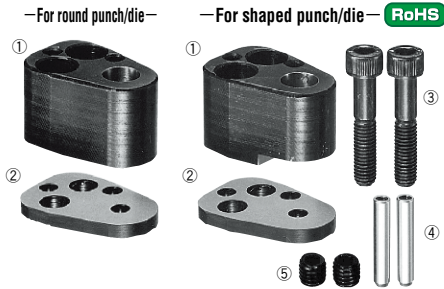


# END RETAINER SETS FOR NC MACHINING

—FOR PUNCHES WITH LOCATING DOWEL HOLES—

# END RETAINER SETS FOR EDGE-MATCHING MACHINING

For round punch·round button die					For shaped punch·shaped button die										
For round	Retainer No.	Catalog No.	Components					For shaped	Retainer No.	Catalog No.	Components				
			①	②	③	④	⑤				①	②	③	④	⑤
For punch	DA1	DP-AP	○	○	○	○	○	For punch	DF1	DP-FP	○	○	○	○	○
	DA2	DPAR	○	○	○	○	○		DF2	DPFR	○	○	○	○	○
		BPC	○	○	○	○	○			BPC	○	○	○	○	○
Button die		DP-AD	○	○	○	○	○	Button die		DP-FD	○	○	○	○	○
		BDC	○	○	○	○	○			BDC	○	○	○	○	○
Body only	DA3	DP-AN	○	○	○	○	○	Body only	DF3	DP-FN	○	○	○	○	○



- ① S45C
- ② Black oxide (Fe<sub>3</sub>O<sub>4</sub>)
- ③ Equivalent to SCM440
- ④ 56 ~ 60HRC
- ⑤ Hexagon socket head cap screw (with loosening prevention treatment)

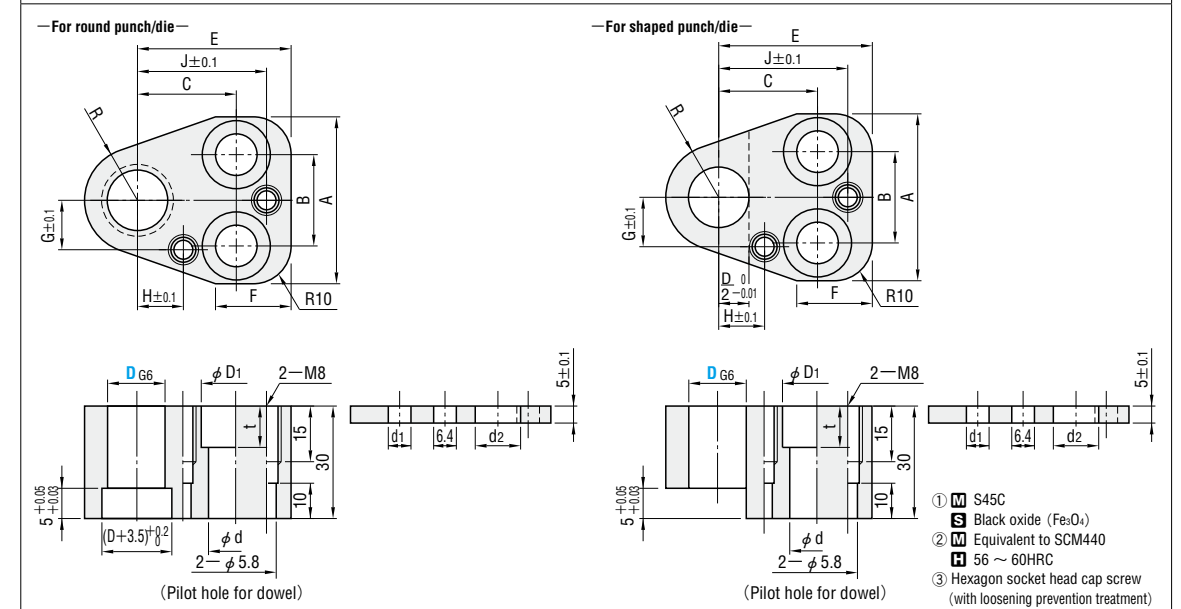
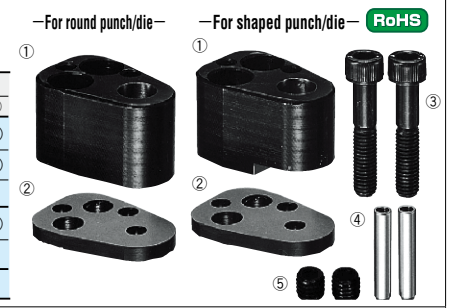
Catalog No.		D	D <sub>G6</sub>	A	B	C	E	F	G	H	J	R	D <sub>1</sub>	d	t	d <sub>2</sub>	d <sub>1</sub>		A ③④⑤
Type																	BPC	BDC	
For round punch/die	10	+0.014 +0.005	37	20	21	35	20	10	9	29	9.5	14	9	10	10	6.2	7.4	3	M8-40
For shaped punch/die	13	+0.017 +0.006	43	26	23	38													
	16	+0.020 +0.007	44	24	26	40		12	12	34	14		17	11	12	12	11.6	3	M10-40
	20		48	28	27	42		16	14	36	17		17	11	12	12	13.6	4	MSTM6-30
	25		50		30	46		18	17	39	19.5		17	11	12	12	17.6	5	MSW8
	32		54	30	33	48		21	20	42	23		19	13	14	14	21.6	3	M12-40
	38	+0.025 +0.009	58		35	52		23	23	46	26		19	13	14	14	27.6	4	MSTM6-30
	45		64	34	38	56		26	27	50	29.5		19	13	14	14	37.0	5	MSW8

Order **Catalog No.**  
DP-AP 25

**P** Price **Quotation**

Days to Ship **Quotation**

For round punch·round button die					For shaped punch·shaped button die										
For round	Retainer No.	Catalog No.	Components					For shaped	Retainer No.	Catalog No.	Components				
			①	②	③	④	⑤				①	②	③	④	⑤
For punch	CA1	CP-AP	○	○	○	○	○	For punch	CF1	CP-FP	○	○	○	○	○
	CA2	CPAR	○	○	○	○	○		CF2	CPFR	○	○	○	○	○
		BPC	○	○	○	○	○			BPC	○	○	○	○	○
Button die		CP-AD	○	○	○	○	○	Button die		CP-FD	○	○	○	○	○
		BDC	○	○	○	○	○			BDC	○	○	○	○	○
Body only	CA3	CP-AN	○	○	○	○	○	Body only	CF3	CP-FN	○	○	○	○	○



- ① S45C
- ② Black oxide (Fe<sub>3</sub>O<sub>4</sub>)
- ③ Equivalent to SCM440
- ④ 56 ~ 60HRC
- ⑤ Hexagon socket head cap screw (with loosening prevention treatment)

Catalog No.		D	D <sub>G6</sub>	A	B	C	E	F	G	H	J	R	D <sub>1</sub>	d	t	d <sub>2</sub>	d <sub>1</sub>		A ③④⑤
Type																	BPC	BDC	
For round punch/die	10	+0.014 +0.005	37	20	21	35	20	10	9	29	9.5	14	9	10	10	6.2	7.4	3	M8-40
For shaped punch/die	13	+0.017 +0.006	43	26	23	38													
	16	+0.020 +0.007	44	24	26	40		12	12	34	14		17	11	12	12	11.6	3	M10-40
	20		48	28	27	42		16	14	36	17		17	11	12	12	13.6	4	MSTM6-30
	25		50		30	46		18	17	39	19.5		17	11	12	12	17.6	5	MSW8
	32		54	30	33	48		21	20	42	23		19	13	14	14	21.6	3	M12-40
	38	+0.025 +0.009	58		35	52		23	23	46	26		19	13	14	14	27.6	4	MSTM6-30
	45		64	34	38	56		26	27	50	29.5		19	13	14	14	37.0	5	MSW8

Order **Catalog No.**  
CP-AP 25

**P** Price **Quotation**

Days to Ship **Quotation**