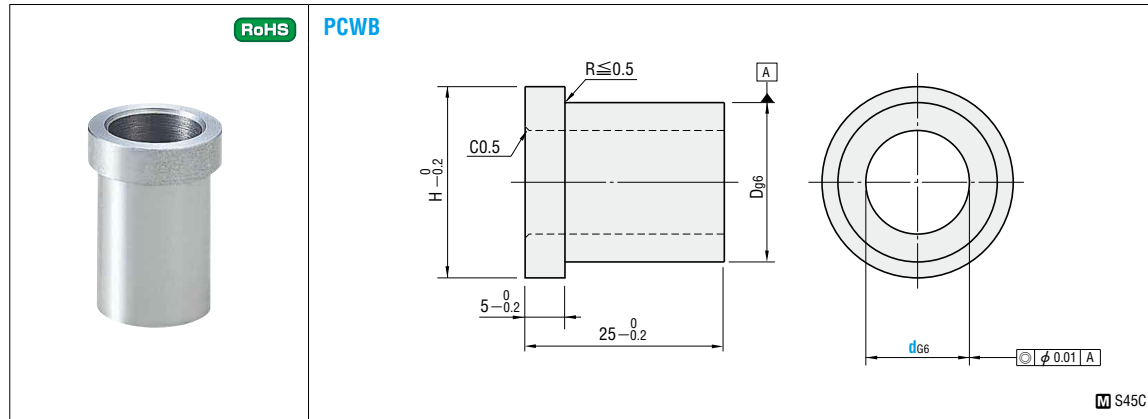


BUSHINGS FOR PUNCH HOLE POSITION ADJUSTMENT

URETHANE FALL-STOPPER UNITS



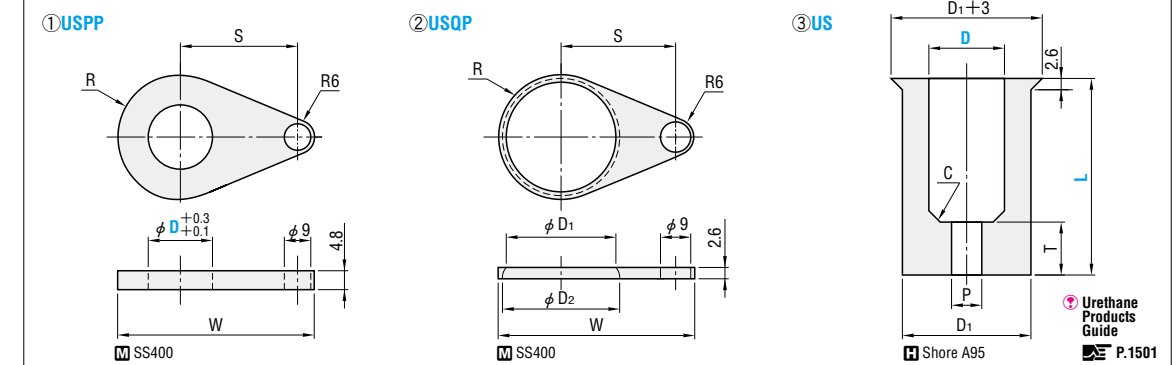
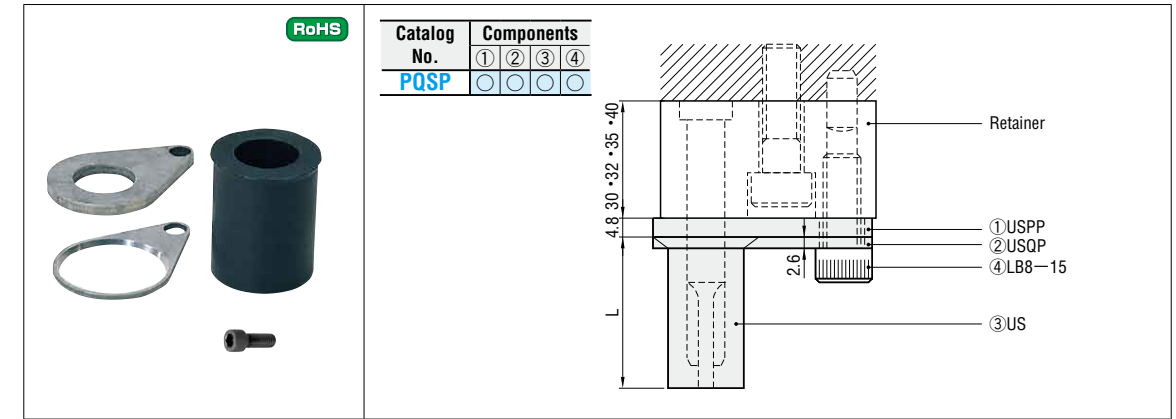
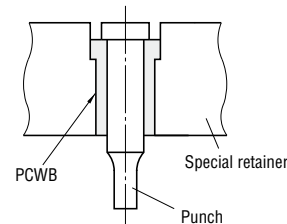
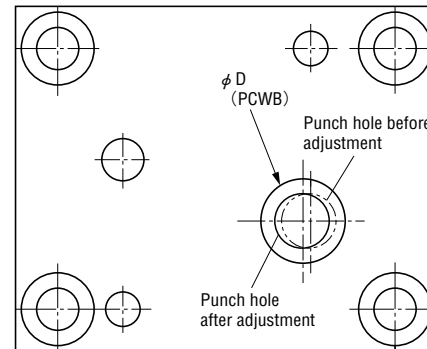
D	H	Catalog No.		Base unit price 1~9 pieces
		Type	d	
16	19	PCWB	10	Quotation
20	24		13	
25	29		16	
30	34		20	
			25	

Order **Catalog No.**
PCWB 16

Days to Ship **Quotation**

Price **Quotation**

Example These bushings are used in order to make fine adjustments to the punch hole position, as shown below, when attaching the punch to a special retainer. They can eliminate the costs required for re-manufacture of punches and retainers.



■ PQSP (①USPP · ②USQP · ③US · ④LB8-15)

Catalog No. Type	D	L													Base unit price 1~19 sets
		10	13	16	20	25	32	38	40	44	47	49	52	54	
PQSP (①②③④)	10	27	29	32	34	37	39	42	44	47	49	52	54	Quotation	
	13	27	29	32	34	37	39	42	44	47	49	52	54		
	16	37	39	42	44	47	49	52	54	57	59	62	64		
	20	48	50	53	55	58	60	63	65	68	70	73	75		
	25	48	50	53	55	58	60	63	65	68	70	73	75		
	32	48	50	53	55	58	60	63	65	68	70	73	75		
	38	49	51	54	56	59	61	64	66	69	71	74	76		

■ ①USPP

Catalog No.	Base unit price 1~19 pieces
10	Quotation
13	
16	
20	
25	
32	
38	

■ ②USQP

Catalog No.	Base unit price 1~19 pieces
10	Quotation
13	
16	
20	
25	
32	
38	

Order **Catalog No.** — L
PQSP 13 — 52
USPP 20

Days to Ship **Quotation**

Price **Quotation**

D	D ₁	D ₂	①USPP · ②USQP			③US				
			S	R	W	D	D ₁	P	T	C
10	19	21	29	12	47	10	18	3.5	6	2.0
13	24	26	32	14.5	52.5	13	23	4.0		
16	29	31	34	17	57	16	28		7	
20	34	36	36	19.5	61.5	20	33	8		
25	41	43	39	23	68	25	40			
32	51	53	42	28	76	32	50			
38	61	63	46	33	85	38	60			

■ ③US

■ P.765

■ ④LB8-15

■ P.811

■ Applicable retainers for PQSP

·HDP-AP	·HDPAR	·P.736
·HDP-FP	·HDPFR	·P.736
·HAP-AP	·HAPAR	·P.737
·HAP-FP	·HAPFR	·P.737
·DP-AP	·DPAR	·P.741
·DP-FP	·DPFR	·P.741
·CP-AP	·CPAR	·P.742
·CP-FP	·CPFR	·P.742
·AP-AP	·APAR	·P.743
·AP-FP	·APFR	·P.743
·FP-AP	·FPAR	·P.744
·FP-FP	·FPFR	·P.744
·CLN-P	·P.791	
·CBN-P	·P.792	