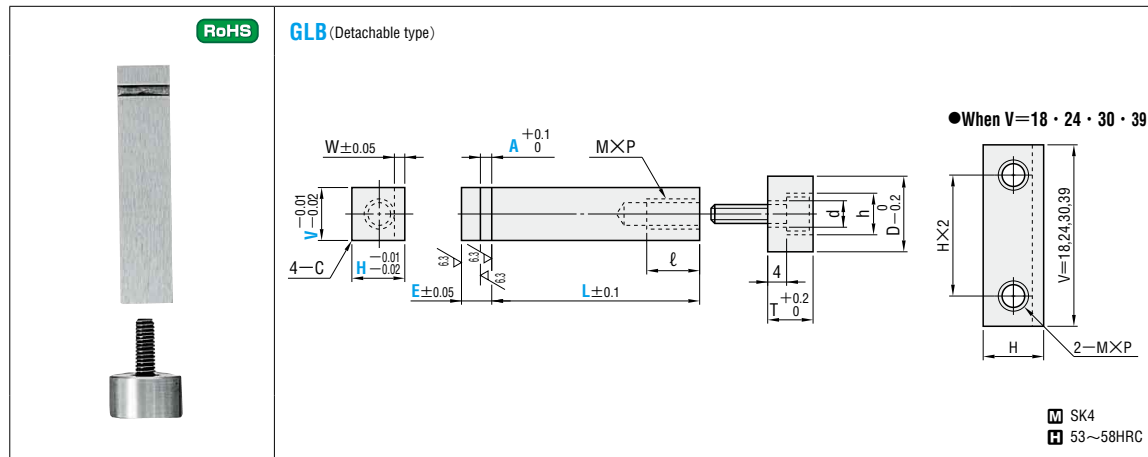


BLOCK GUIDE LIFTERS

—DETACHABLE TYPE—



W	C	M×P	ℓ	D	d	T	h	Catalog No.	V	H	0.1mm increments			Base unit price 1~19 pieces
											L	A	E	
1.5	0.5	3×0.5	9	10	4	7	6.5	GLB	5	5	20.0~60.0	0.5~3.6	5.0~15.0	Quotation
									6	6				
									18	8				
									8	8				
2.0	0.8	4×0.7	12	14	5	8	8	GLB	24	8	26.0~80.0	0.5~3.6	5.0~15.0	Quotation
									10	10				
									30	10				
2.5	0.8	5×0.8	15	18	6	9	9.5	GLB	13	13	26.0~80.0	0.5~3.6	5.0~15.0	Quotation

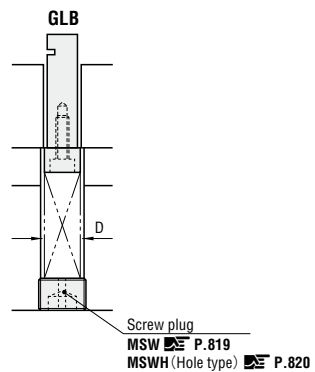
Order **Catalog No.** V H L A E
GLB 08 08 - 40.0 - 2.0 - 6.0

Alterations **Catalog No.** V H L A E (WC)
GLB 08 08 - 40.0 - 2.0 - 6.0 - WC2.0

Days to Ship **Quotation**

Price **Quotation**

Example

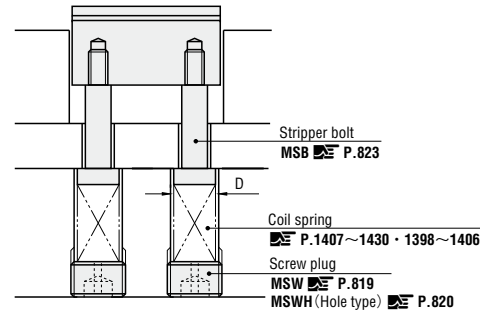


Recommended coil springs and screw plugs

Guide lifter	Coil spring		Screw plug
	Type	D	
GLB 0505	WR	8	MSW10
GLB 0606	WF	10	MSW12
GLB 0808	WL	13	MSW16
GLB 1010	WT	16	MSW20
GLB 1313	WM	18	MSW20
GLB 3913	WH	18	MSW20

GLB1806
2408
3010
3913

The GLB sizes listed at left can also be used with stripper bolts. (Refer to the table below.)

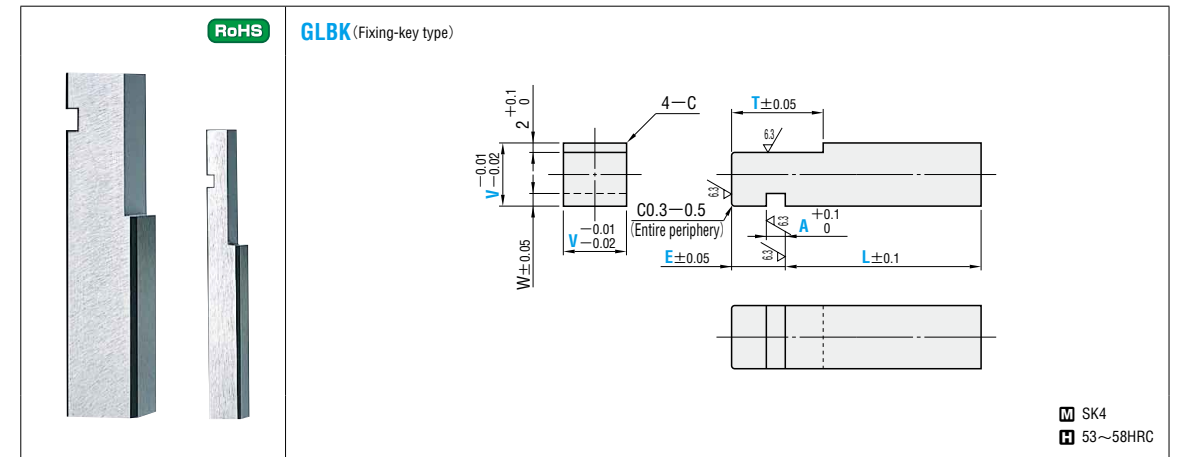


Recommended coil springs, screw plugs, and stripper bolts

Guide lifter	Stripper bolt	Coil spring		Screw plug
		D	D	
GLB1806	MSB4.5	8	MSW10	
GLB2408	MSB5.5	10	MSW12	
GLB3010	MSB6	10	MSW12	
GLB3913	MSB6.5	10	MSW12	

BLOCK GUIDE LIFTERS

—FIXING-KEY TYPE—



W	C	Catalog No. Type	V	5mm increments L	0.1mm increments		T	Base unit price 1~19 pieces
					A	E		
1.5	0.5	GLBK	6	30~80	0.5~4.0	5.0~25.0	5.0~50.0 ※T≧E ※T≦(L+E)/2	Quotation
2.0	0.8		8					
2.5	0.8		10 13					

Order **Catalog No.** L A E T
GLBK 8 - 35 - 2.3 - 8.6 - 20.5

Days to Ship **Quotation**

Price **Quotation**

Alterations **Catalog No.** L A E T (WC)
GLBK 8 - 35 - 1.0 - 8.6 - 20.5 - WC2.0

Alteration	Code	Spec.	1Code	
			V	WC
W dimension change 0.1mm increments	WC	W dimension change 0.1mm increments	6	1.0~2.0
			8	1.0~3.0
			10	1.0~3.5
			13	1.5~4.5

Features

Changing the T dimension allows the amount of lift to be adjusted. In addition, adjusting the E dimension makes it possible to machine a stripper plate through-hole.

Example

