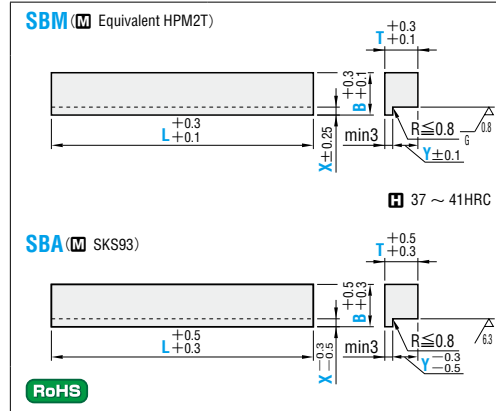


COMPONENTS FOR MATERIAL GUIDE UNITS

FITTING GUIDE SETS

Material guide plates



Catalog No.	B	T	1mm increments		0.1mm increments		Base unit price 1~9 pieces				
			L	X	Y	T6	T8	T10	T13	T16	
SBM (Equivalent HPM2T)	13	6	10~50								
		8	51~100								
		10	101~150								
		13	151~200								
SBM (Equivalent to HPM2T)	16	6	10~50								
		8	51~100								
		10	101~150								
		13	151~200	1.0	1.0						
SBA (SKS93)	20	8	10~50								
		10	51~100								
		13	101~150								
		16	151~200								
SBA (SKS93)	25	8	10~50								
		10	51~100								
		13	101~150								
		16	151~200								

Quotation

Order **Catalog No.** SBM **B-T** 13 6 **L** L150 **X** X3.2 **Y** Y2.8

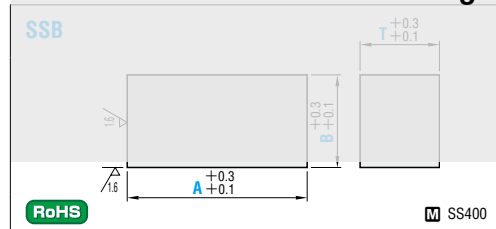
Days to Ship **Quotation**

Price **Quotation**

Example **SBM or SBA**

This product was discontinued in 2017.

Spacer blocks for material guides Catalog No. : SBM SBA SSB



Catalog No.	A	B	T 1mm increments	Base unit price 1~9 pieces		
				B25	B40	B55
SSB	60					
	80					
	100	25	5~60			
	125	40				
	160	55				
	200					

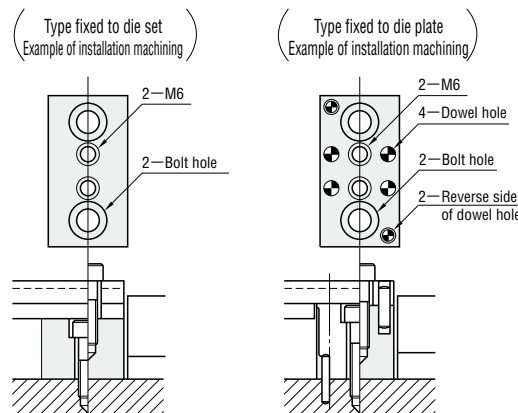
Quotation

Order **Catalog No.** SSB **A** 100 **B** 40 **T** 35

Days to Ship **Quotation**

Price **Quotation**

Examples of installation
Use in order to prevent the material guide plate from interfering inside the die. Spacer blocks are not machined with installation holes. Machine according to the example shown below or your specifications before using.



RoHS
FGK-F
FGK-L
FGK-M
FGK-H

Cannot be used with workpiece materials of thickness 0.8 mm or less.

Spring color	Initial load N (kgf)	N/mm (kgf/mm)	Catalog No.	Base unit price 1~19 pieces
Yellow	1.47 {0.15}	0.49 {0.05}	FGK-F	Quotation
Blue	2.9 {0.3}	1.0 {0.1}	FGK-L	
Red	5.9 {0.6}	2.9 {0.3}	FGK-M	
Green	19.6 {2.0}	6.6 {0.675}	FGK-H	

●Load (kgf) = Load (N) × 0.101972

Order **Catalog No.** FGK-F

Days to Ship **Quotation**

Price **Quotation**

Example

