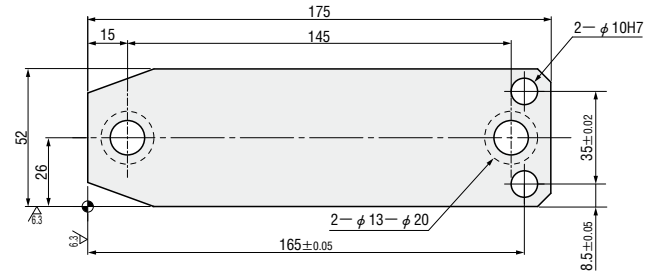


# COMPACT FLYING CAM UNITS FOR PIERCE

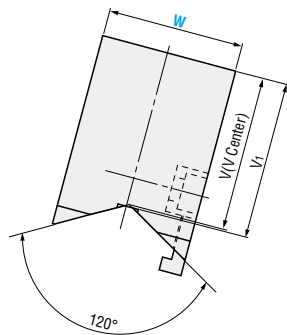
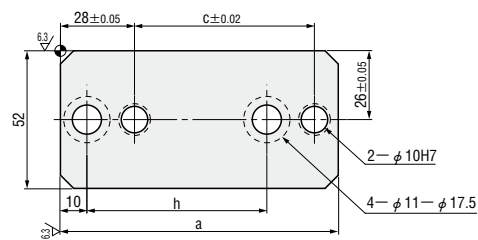
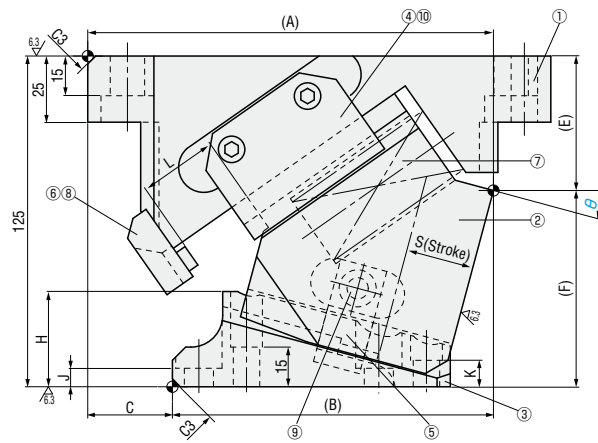
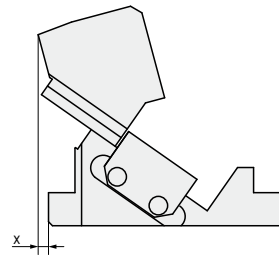
—MGFVC · MEVCN—



— With automatic alignment —  
**MGFVC52 ( $\theta=00-40$ )**  
 — Without automatic alignment —  
**MEVCN52 ( $\theta=00-40$ )**  
 (Economy type)



### ■ Rear removal space



■ Components table P.1220

W	$\theta$	A	B	C	E	F	H	J	K	L	V	V <sub>1</sub>	a	c	h	x
52	00	150	105	45	43	82	21	7	15	30	59	60	105	68	68	0
	05	153.1	111.1	42	45.21	79.79	26									
	10	153.55	116.55	37	47.83	77.17	31									
	15	153.32	121.32	32	50.82	74.18	36		10							
	20	153.38	126.38	27	55.10	69.90	40		7							
	25	154.71	134.71	20	58.62	66.38	45									
	30	153.28	136.28	17	63.31	61.69	49									
35	152.09	142.09	10	67.1	57.9	54										
40	149.14	145.14	4	71.93	53.07	58										

Slide Stroke S	Working force KN (tonf)		Spring load N (kgf)			Total weight kg	Catalog No.	W	$\theta$
	Standard working force	Max. working force	Preload	5mm before bottom dead center	Max. load				
19.3	14.7 (1.5)	29.4 (3.0)	245 (25.0)	789 (80.4)	980 (99.9)	5.3	—With automatic alignment— <b>MGFVC</b>	52	00
21.3				809 (82.4)		5.2			05
23.3				823 (83.9)		5.1			10
25.4				835 (85.2)		5.0			15
27.6				848 (86.4)		5.0			20
30.0				858 (87.4)		5.0			25
32.6				867 (88.4)		5.0			30
35.4				877 (89.4)		4.9			35
38.6				884 (90.2)		5.0			40

Order     —

Days to Ship **Quotation**

Price **Quotation**

Alterations     —   —

Alteration	Code	Spec.
	SC	Move forward mounting surface 1 ≤ SC ≤ 60 1mm increment