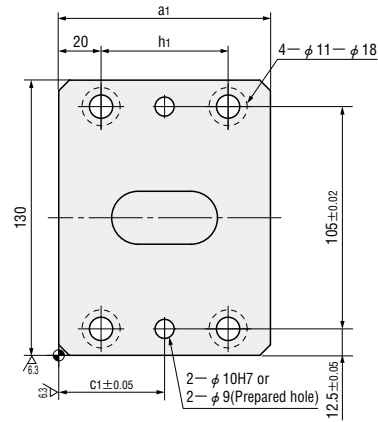
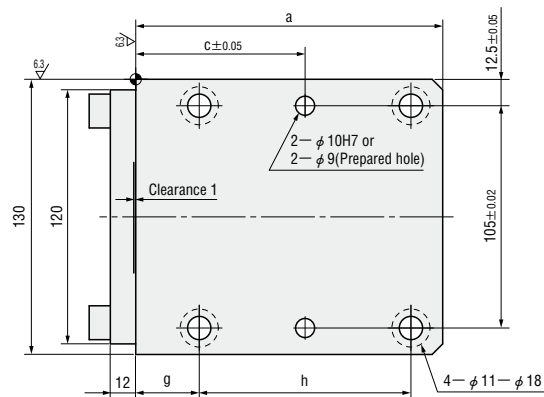
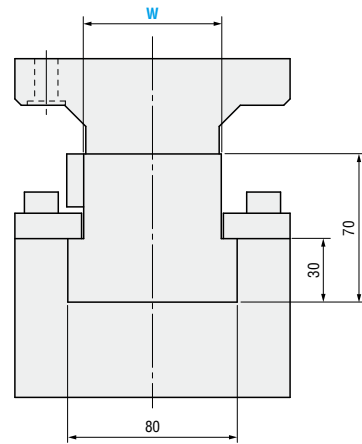
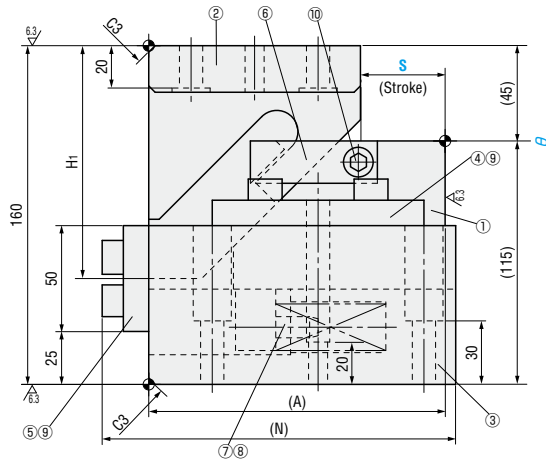
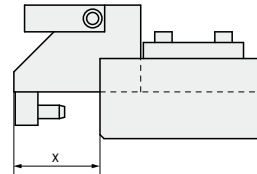


— Drilled dowel holes —
MGDC65 ($\theta=00$)
MEDC65 ($\theta=00$)
 (Economy type)

— Finished dowel holes —
MGDC A65 ($\theta=00$)
MEDCA65 ($\theta=00$)
 (Economy type)



■ Rear removal space



■ Components table P.1335

W	θ	S	A	H ₁	N	a	a ₁	c	c ₁	g	h	h ₁	x
65	00	40	140	110	167	145	100	80	50	30	100	60	75
		60	190	130	212	180	110	105	55	40	125	70	80

Working force KN (tonf)		Spring load N (kgf)			Total weight kg	Catalog No.	W	θ	Slide Stroke S
Standard working force	Max. working force	Preload	5mm before bottom dead center	Max. load					
19.6 (2.0)	39.2 (4.0)	125 (12.7)	671 (68.4)	749 (76.4)	19.0	— Drilled dowel holes — MGDC MEDC (Economy type)	65	00	40
		135 (13.8)	707 (72.1)	759 (77.4)	22.0				— Finished dowel holes — MGDC A MEDCA (Economy type)

Order **Catalog No.** **MGDC A** **W** **65** — **θ** **00** — **S** **40**

Days to Ship **Quotation**

Price **Quotation**