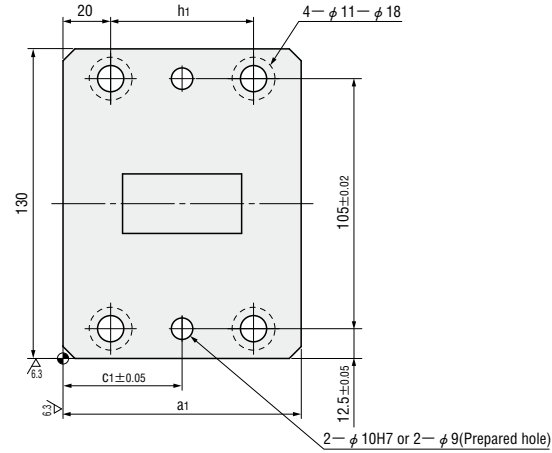


STANDARD UNDER CAM UNITS — DRILLED DOWEL HOLES / FINISHED DOWEL HOLES—

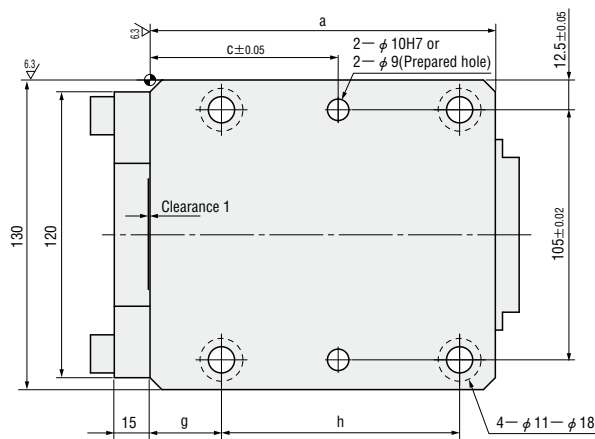
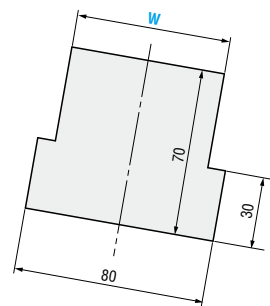
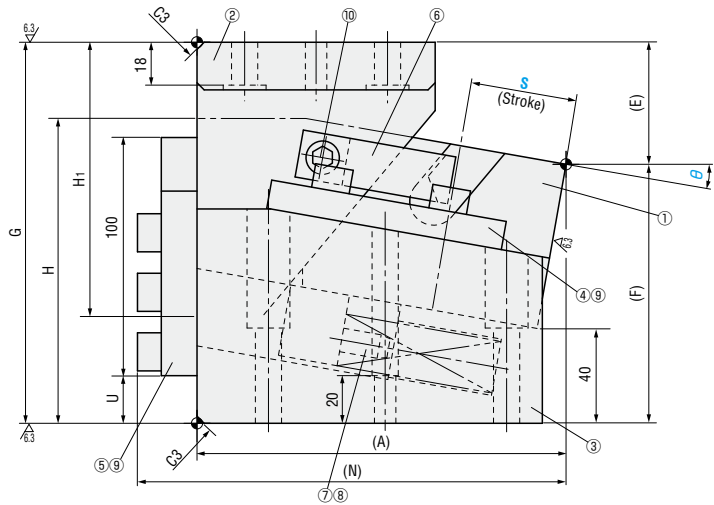
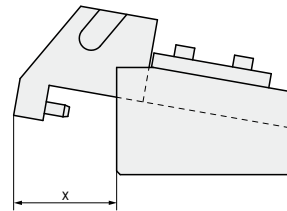
— MGDC · MGDC A · MEDC · MEDCA —

— Drilled dowel holes —
MGDC65 ($\theta=05-20$)
MEDC65 ($\theta=05-20$)
(Economy type)

— Finished dowel holes —
MGDC A65 ($\theta=05-20$)
MEDCA65 ($\theta=05-20$)
(Economy type)



■ Rear removal space



■ Components table P.1335

W	θ	S	A	E	F	G	H	H ₁	U	N	a	a ₁	c	c ₁	g	h	h ₁	x
65	05	45	150.55	47.90	112.1	160	121.7	125	12.5	175.55	145	100	80	50	30	100	60	85
		70	195.38	46.83	123.17	170	158.1	145	25	220.38	180		65		40	125		83
	10	45	154.95	51.24	108.76	160	129.1	115	20	179.95	145	110	79	55	30	100	70	89
		70	199.27	59.06	110.94	170	138.9	145	25	224.27	180		65		40	125		85
	15	45	158.18	64.91	105.09	160	133.7	115	25	183.18	145	110	80	55	30	100	70	91
		70	201.64	66.56	103.44	170	161.5	125	40	226.64	180		65		40	125		88
	20	45	160.2	68.81	101.19	160	138.9	105	30	185.2	145	110	80	55	30	100	60	93
		70	202.48	74.21	95.79	170	154.6	120	40	227.48	180		65		40	125		70

Standard working force	Working force KN (tonf)		Spring load N (kgf)			Total weight kg	Catalog No.	W	θ	Slide Stroke S
	Max. working force	Preload	5mm before bottom dead center	Max. load						
19.6 (2.0)	39.2 (4.0)	176 (18.0)	680 (69.4)	743 (75.8)	20.0	— Drilled dowel holes — MGDC MEDC (Economy type) — Finished dowel holes — MGDC A MEDCA (Economy type)	65	05	45	
		190 (19.4)	918 (93.7)	974 (99.4)	25.0				70	
		176 (18.0)	680 (69.4)	743 (75.8)	20.0			10	45	
		190 (19.4)	918 (93.7)	974 (99.4)	25.0				70	
		176 (18.0)	680 (69.4)	743 (75.8)	21.0			15	45	
		190 (19.4)	918 (93.7)	974 (99.4)	25.0				70	
		176 (18.0)	680 (69.4)	743 (75.8)	21.0		20	45		
		190 (19.4)	918 (93.7)	974 (99.4)	25.0			70		

Order **Catalog No.** **W** - θ - **S**
MGDC A **65** - **10** - **45**

Days to Ship **Quotation**

Price **Quotation**