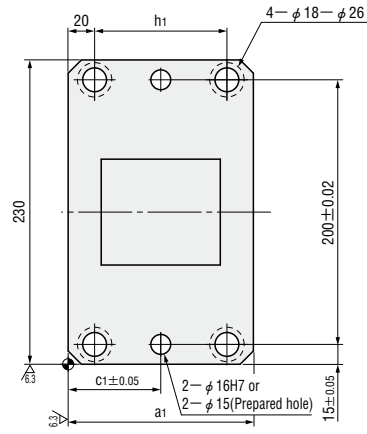


STANDARD UNDER CAM UNITS — DRILLED DOWEL HOLES / FINISHED DOWEL HOLES—

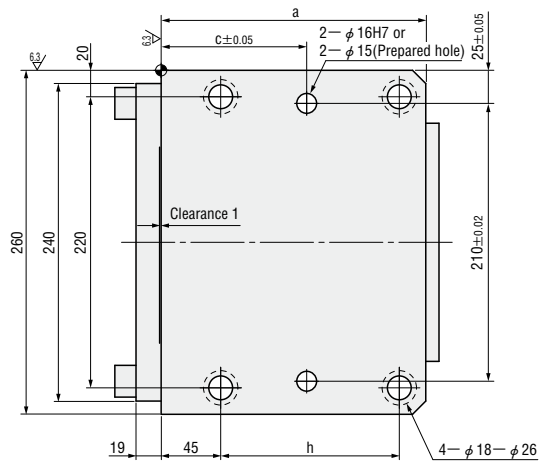
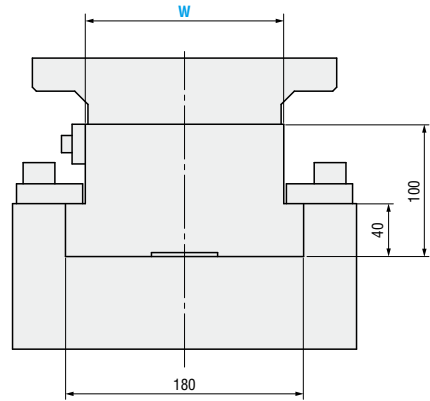
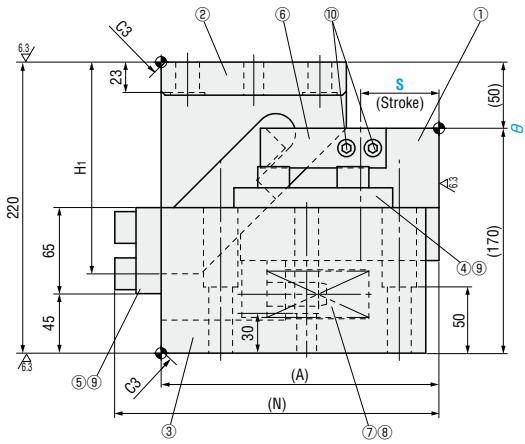
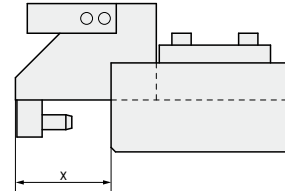
— MGDC · MGDCA · MEDC · MEDCA —

— Drilled dowel holes —
MGDC150 ($\theta=00$)
MEDC150 ($\theta=00$)
(Economy type)

— Finished dowel holes —
MGDCA150 ($\theta=00$)
MEDCA150 ($\theta=00$)
(Economy type)



■ Rear removal space



■ Components table P.1335

W	θ	S	A	H ₁	N	a	a ₁	c	c ₁	h	h ₁	x
150	00	40	190	140	225	190	120	105	60	125	80	108
		60	210	160	245	200	140	110	70	135	100	100

Standard working force	Max. working force	Spring load N (kgf)			Total weight kg	Catalog No.	W	θ	Slide Stroke S
		Preload	5mm before bottom dead center	Max. load					
58.8 (6.0)	88.3 (9.0)	307 (31.3)	1651 (168.4)	1843 (188.0)	63.0	— Drilled dowel holes — MGDC MEDC (Economy type)	150	00	40
		333 (33.9)	1741 (177.5)	1869 (190.6)	69.0				— Finished dowel holes — MGDCA MEDCA (Economy type)

Order **Catalog No.** **MGDCA** **W** **150** — **θ** **00** — **S** **60**

Days to Ship **Quotation**

Price **Quotation**