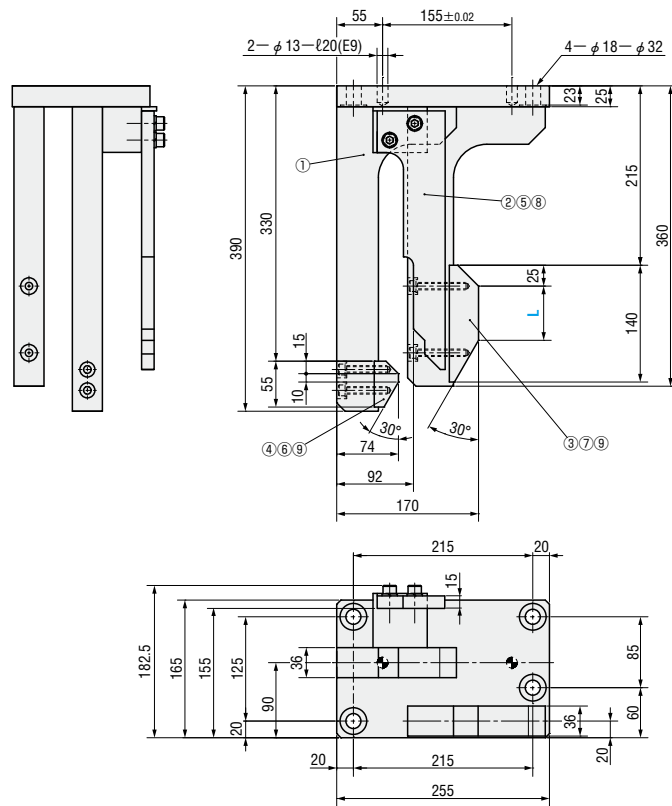




**MHDF**



\* This drawing shows the right side.  
The left side is symmetric to this drawing.

**Components list**

No.	Name	Qty.	Material & remarks
①	Base	1	SS400
②	Driving plate	1	SS400
③	Cam block A	1	S45C HRC50~
④	Cam block A'	1	S45C HRC50~
⑤	Hexagon socket head cap bolt	2	M10×30
⑥	Hexagon socket head cap bolt	2	M8×50
⑦	Hexagon socket head cap bolt	2	M8×55
⑧	Spring washer	2	For M10
⑨	Spring washer	4	For M8

**Comparison list of link units and drivers**

Link units	Drivers
MFHU	MHDF

Catalog No.	L	R/L
MHDF	65	R · L

Order

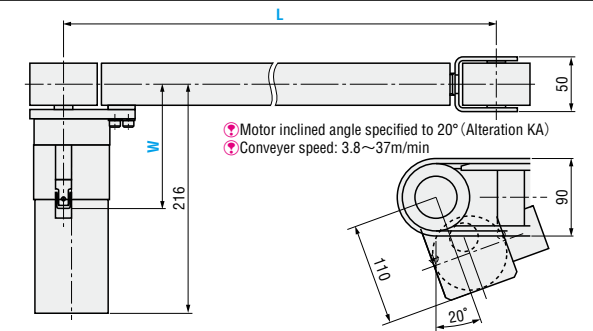
Days to Ship

Price

**Drive conveyer units (①)**



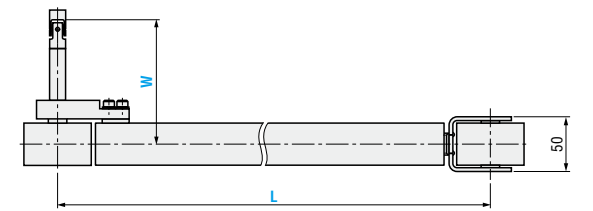
- MMCAL** (AL layout)
- MMCAR** (AR layout)
- MMCBL** (BL layout)
- MMCBR** (BR layout)



**Auxiliary conveyer units (②)**



- MMCSAL** (AL layout)
- MMCSAR** (AR layout)
- MMCSBL** (BL layout)
- MMCSBR** (BR layout)



**Drive conveyer units (①)**

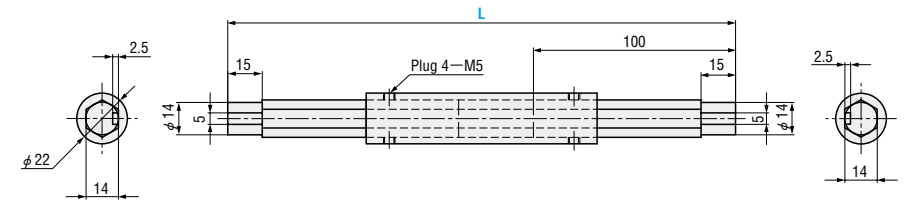
Catalog No.	L 100mm increment	W 10mm increment	Motor (Made in China)	Specified inclined angle
<b>MMCAL</b> <b>MMCAR</b> <b>MMCBL</b> <b>MMCBR</b>	200~1000	40~200 80~200	M1 (AC100V) M2 (AC200V)	KA

**Auxiliary conveyer units (②)**

Catalog No.	L 100mm increment	W 10mm increment
<b>MMCSAL</b> <b>MMCSAR</b> <b>MMCSBL</b> <b>MMCSBR</b>	200~1000	60~200

**Link (③)**

**MMUNJL** (Variable length)



Catalog No.	L 10mm increment
<b>MMUNJL</b>	140~1100

Order

**MMCAL** - 700 - 80 - M1  
**MMCBL** - 500 - 200 - M2 - KA  
**MMCSAL** - 600 - 100

Links and conveyer units are coupled by key.

Days to Ship

Price

**Installation diagram of each configuration**

