
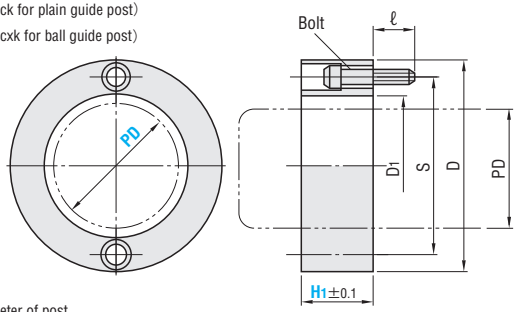


STROKE END BLOCKS

—FLAT TYPE—




CEBY (End block for plain guide post)
CEBA (End block for ball guide post)

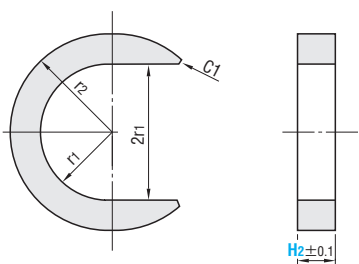


PD: Outside diameter of post

SS400
2 bolts



CSBY (Stock block for plain guide post)
CSBA (Stock block for ball guide post)



SS400

PD	D	CEBY D1	CEBA D1	CSBY r1	CSBA r1	S	r2	Bolt	ℓ
25	46	29	31.5	14.5	15.75	37	23	M4×P0.7	10
32	56	37	41	18.5	20.5	45	28	M4×P0.7	10
38	72	43	49	21.5	24.5	60	36	M5×P0.8	10
50	86	56	62	28	31	72	43	M6×P1.0	10
60	112	66	76	33	38	92	56	M8×P1.25	12
80	140	88	100	44	50	116	70	M8×P1.25	12

End blocks

Catalog No.	Type	PD	H1 5mm increments	Color	Base unit price 1~9 pieces
CEBY	25	46	10 ~ 50	R (Red)	Quotation
	32	56	10 ~ 60		
	38	72	15 ~ 70		
CEBA	50	86	20 ~ 80	Y (Yellow)	Quotation
	60	112	20 ~ 80		
	80	140	20 ~ 80		

Stock blocks

Catalog No.	Type	PD	H2 5mm increments	Color	Base unit price 1~9 pieces
CSBY	25	46	10 ~ 40	R (Red)	Quotation
	32	56	10 ~ 40		
	38	72	10 ~ 50		
CSBA	50	86	10 ~ 50	Y (Yellow)	Quotation
	60	112	10 ~ 50		
	80	140	10 ~ 50		

Order **CEBY 32 - 35 - R**

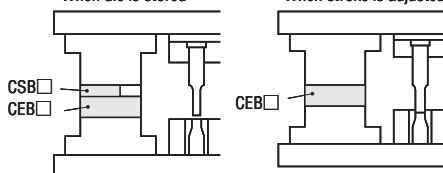
Days to Ship **Quotation**

Price **Quotation**

EX Example

When die is stored

When stroke is adjusted



Catalog No.	Type	PD	①・② (End block)		③・④ (Stock block)		Base unit price 1~9 sets	
			H1 5mm increments	Color	H2 5mm increments	Color		
EBYS (①CEBY+③CSBY) Set product	R (Red)	25	10 ~ 30	R (Red)	10 ~ 20	R (Red)	Quotation	
			35 ~ 50		25 ~ 40			
			32		10 ~ 30			10 ~ 20
					35 ~ 50			25 ~ 40
			38		15 ~ 30			10 ~ 20
					35 ~ 50			25 ~ 50
EBAS (②CEBA+④CSBA) Set product	Y (Yellow)	50	35 ~ 50	Y (Yellow)	10 ~ 20	Quotation		
			35 ~ 50		25 ~ 50			
			60		35 ~ 50			10 ~ 20
					35 ~ 50			25 ~ 50
			80		20 ~ 30			10 ~ 20
					35 ~ 50			25 ~ 50

This product was discontinued in 2017.

Catalog No. : EBYS EBAS

The guide post sets must be machined so that the blocks can be attached. P.944.

Order **EBYS 38 - 40 - R - 40 - Y**

Days to Ship **Quotation**

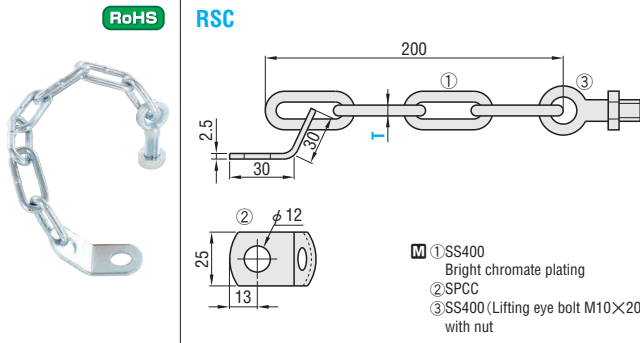
Alterations **CSBY50 - 35 - R - RS**
CEBA60 - 40 - Y - HC32

Price **Quotation**

Alteration Code	Machining for chain attachment	Machining for reinforced chain (RSC) attachment	H1 dimension change	Machining of groove
S	Tap hole processing on the end block for chain mounting. Tap hole processing on the stock block for chain mounting. ⊙ The chain is attached to the stock block. ⊗ Cannot be combined with alteration RS.	RS Lifting eye bolts M10×20 with nut Tap hole processing on the end block for a reinforced chain mounting. ⊙ Reinforced chain (RSC) is attached to stock block. ⊙ Can be used for PD≥25, H1≥20, and H2≥20. ⊗ Cannot be combined with alteration S. ⊗ Cannot be used for CSBY and CSBA.	HC H1 dimension change H1 min. < HC < H1 max. 1mm increments ⊙ Please order according to the alteration order example. ⊗ Cannot be used for CSBY and CSBA.	NMC Addition of a groove for height adjustment ⊗ Cannot be used for CSBY and CSBA.
1Code	Quotation			

Chains for end blocks

RSC



① SS400 Bright chromate plating
② SPCC
③ SS400 (Lifting eye bolt M10×20) with nut

Catalog No.	Type	T	Base unit price 1~9 pieces
RSC	3	5	Quotation

⊙ This product, RSC3, is a chain for alteration RS.

Order **RSC 3**

Days to Ship **Quotation**

Price **Quotation**