

Spring Plungers• headed, with ball and internal hexagon 22030.1060



Product Description

Spring plungers can be used for locating or for applying pressure, as a detent or for ejection. Precise screwing depth due to head.

Material

Body

- Free cutting steel, blackened

Ball

- Ball-bearing steel, hardened

Spring

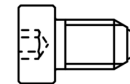
- stainless steel

Assembly

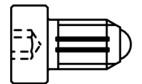
Respect dimension l_3 for M 4 / M 5.

Characteristic

Reinforced spring load: marked with two lines



Standard spring load



Heavy spring load

More information

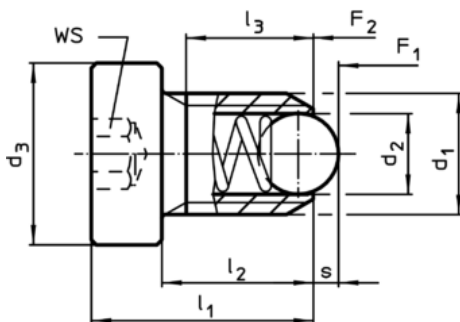
Notes

Special types on request.
Spring plungers are specially tested for spring range and forces.

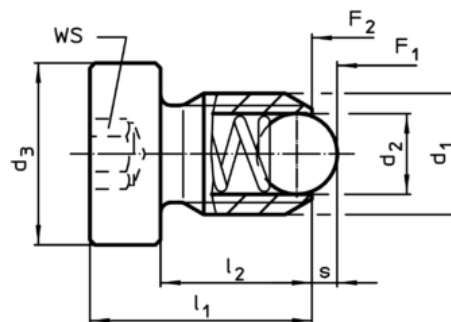
References

Thread lock on request, please refer to appendix - Technical Data -
Calculation of indexing resistance, see details at the start of the section.

Drawing



Size M4+M5



Size M6-M12

Order information

| Dimensions | | | | | WS | Stroke s | Spring load ¹⁾ | | max. [°C] | [g] | Art. No. |
|---------------------------------------|----------------|----------------|----------------|----------------|----|-------------|---------------------------|---------------------|--------------|-----|------------|
| d ₁ | d ₂ | d ₃ | l ₁ | l ₂ | | | F ₁ ~ | F ₂ ~ | | | |
| free cutting steel, heavy spring load | | | | | | | | | | | |
| M6 | 3,5 | 10 | 15 | 10 | 3 | 1 | 19,3 | 26,6 | 250 | 3,9 | 22030.1060 |

¹⁾ statistical average value

Application example

