

## Spring Plungers• headed, with ball and internal hexagon

22030.2060



### Product Description

Spring plungers can be used for locating or for applying pressure, as a detent or for ejection. Precise screwing depth due to head.

#### Material

##### Body

- Stainless steel 1.4305

##### Ball

- Stainless steel, hardened

##### Spring

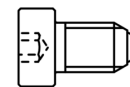
- stainless steel

#### Assembly

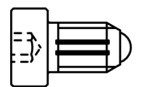
Respect dimension  $l_3$  for M 4 / M 5.

#### Characteristic

Reinforced spring load: marked with two lines



Standard spring load



Heavy spring load

#### More information

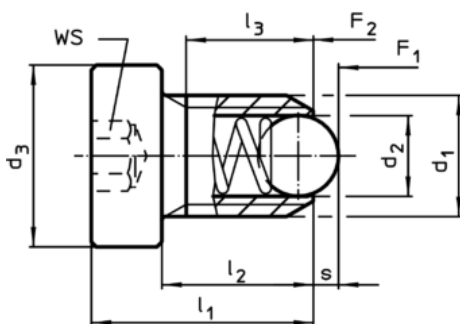
#### Notes

Special types on request.  
Spring plungers are specially tested for spring range and forces.

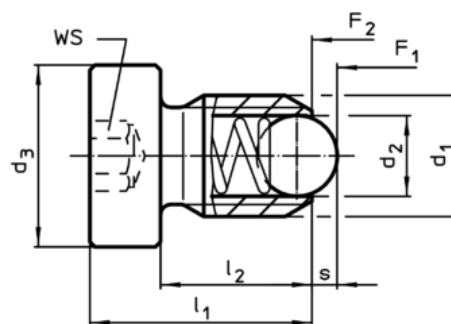
#### References

Thread lock on request, please refer to appendix - Technical Data -  
Calculation of indexing resistance, see details at the start of the section.

### Drawing



Size M4+M5



Size M6-M12

### Order information

Dimensions					WS	Stroke s	Spring load <sup>1)</sup>		max. [°C]	[g]	Art. No.
d <sub>1</sub>	d <sub>2</sub>	d <sub>3</sub>	l <sub>1</sub>	l <sub>2</sub>			F <sub>1</sub> ~	F <sub>2</sub> ~			
[mm]					[mm]	[mm]	[N]				
stainless steel, heavy spring load											
M6	3,5	10	15	10	3	1	19,3	26,6	250	3,9	22030.2060

<sup>1)</sup> statistical average value

Application example

