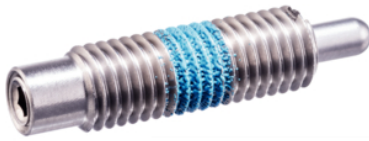


Spring Plungers· long  
22070.0208

Product Description

To be used for ejecting, as a detent, for applying pressure or as a shock element.



Material

Pin

- Steel, case-hardened, blackened

Body

- Stainless steel 1.4305

Spring

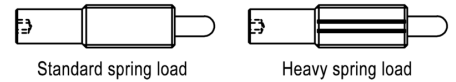
- stainless steel

Assembly

Spring plungers can be mounted and removed by means of the slot or internal hexagon. Please use a special assembly tool for mounting with a slot (pin side).

Characteristic

Standard spring load: no marking



More information

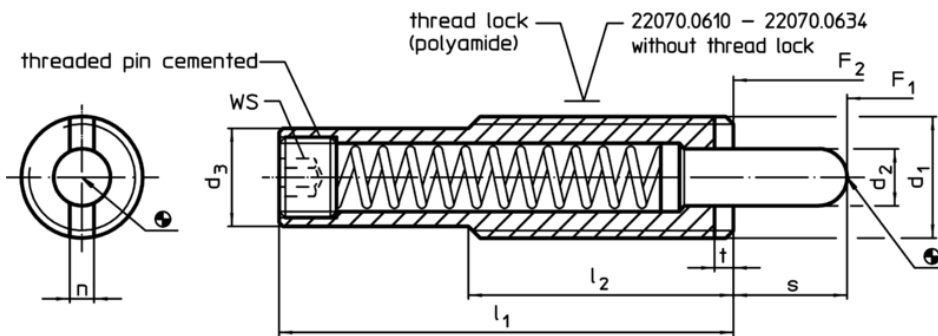
Notes

Special types on request.  
Spring plungers are specially tested for spring range and forces.

References

Thread lock on request, please refer to appendix - Technical Data -

Drawing



Order information

Dimensions							Stroke s [mm]	WS [mm]	Spring load <sup>1)</sup>		Temperature		Weight [g]	Art. No.
d <sub>1</sub>	d <sub>2</sub>	d <sub>3</sub>	l <sub>1</sub>	l <sub>2</sub>	n	t			F <sub>1</sub> ~ [N]	F <sub>2</sub> ~ [N]	min.	max.		
stainless steel, standard spring load														
M10	4	7,8	35	25	1,5	1,4	8	3	6	16	-30	90	13	22070.0208

<sup>1)</sup> statistical average value

Application example

