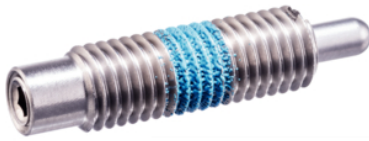


Spring Plungers· long

22070.0236

Product Description

To be used for ejecting, as a detent, for applying pressure or as a shock element.



Material

Pin

- Steel, case-hardened, blackened

Body

- Stainless steel 1.4305

Spring

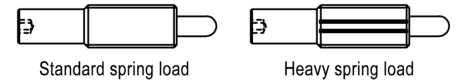
- stainless steel

Assembly

Spring plungers can be mounted and removed by means of the slot or internal hexagon. Please use a special assembly tool for mounting with a slot (pin side).

Characteristic

Standard spring load: no marking



More information

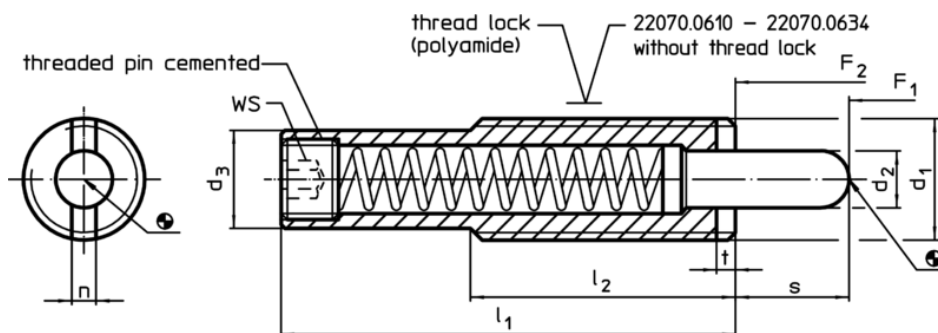
Notes

Special types on request.
Spring plungers are specially tested for spring range and forces.

References

Thread lock on request, please refer to appendix - Technical Data -

Drawing



Order information

Dimensions							Stroke s	WS	Spring load ¹⁾		Temperature		Weight [g]	Art. No.
d ₁	d ₂	d ₃	l ₁	l ₂	n	t			F ₁	F ₂	min.	max.		
[mm]							[mm]	[mm]	[N]	[N]	[°C]		[g]	
stainless steel, standard spring load														
M16	8	13,4	58	35	3,2	3	15	6	9	33	-30	90	54	22070.0236

¹⁾ statistical average value

Application example

