

Spring Plungers· long  
22070.0336



Product Description

To be used for ejecting, as a detent, for applying pressure or as a shock element.

Material

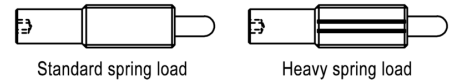
- Pin**
  - Steel, case-hardened, blackened
- Body**
  - Stainless steel 1.4305
- Spring**
  - stainless steel

Assembly

Spring plungers can be mounted and removed by means of the slot or internal hexagon. Please use a special assembly tool for mounting with a slot (pin side).

Characteristic

Reinforced spring load: marked with two lines



More information

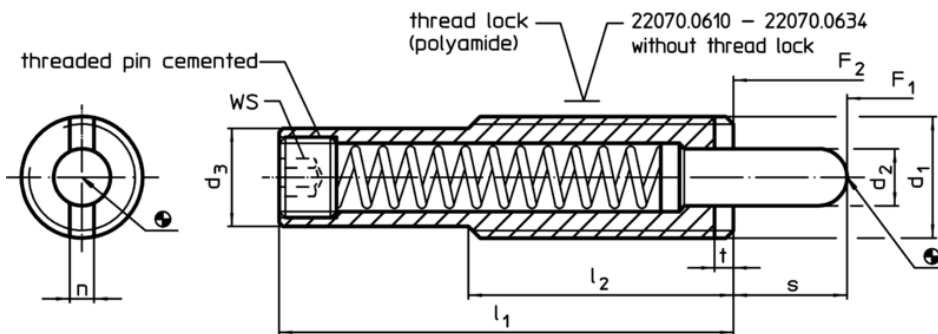
Notes

Special types on request.  
Spring plungers are specially tested for spring range and forces.

References

Thread lock on request, please refer to appendix - Technical Data -

Drawing



Order information

Dimensions								Stroke s	WS	Spring load <sup>1)</sup>		Temperature		Weight	Art. No.
d <sub>1</sub>	d <sub>2</sub>	d <sub>3</sub>	l <sub>1</sub>	l <sub>2</sub>	n	t	F <sub>1</sub>			F <sub>2</sub>	min.	max.			
[mm]								[mm]	[mm]	[N]		[°C]		[g]	
stainless steel, heavy spring load															
M16	8	13,4	58	35	3,2	3	15	6	10	57	-30	90	54	22070.0336	

<sup>1)</sup> statistical average value

Application example

