

Spring Plungers· long

22070.0355



Product Description

To be used for ejecting, as a detent, for applying pressure or as a shock element.

Material

Pin

- Steel, case-hardened, blackened

Body

- Stainless steel 1.4305

Spring

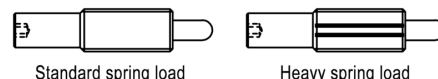
- stainless steel

Assembly

Spring plungers can be mounted and removed by means of the slot or internal hexagon. Please use a special assembly tool for mounting with a slot (pin side).

Characteristic

Reinforced spring load: marked with two lines



More information

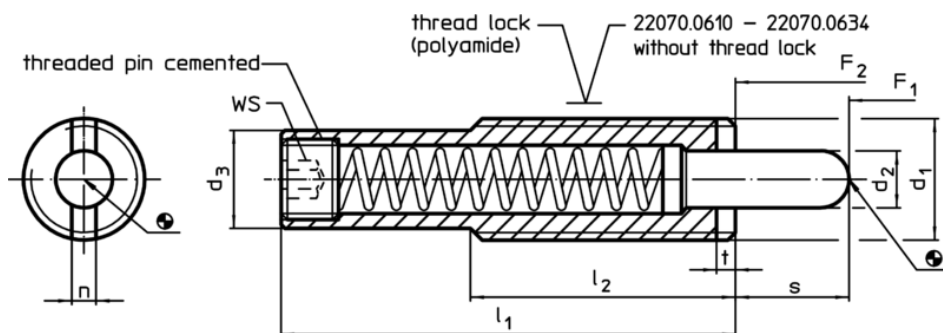
Notes

Special types on request.
Spring plungers are specially tested for spring range and forces.

References

Thread lock on request, please refer to appendix - Technical Data -

Drawing



Order information

Dimensions								Stroke s	WS	Spring load ¹⁾		min. max. [°C]	[g]	Art. No.
d ₁	d ₂	d ₃	l ₁	l ₂	n	t	F ₁ ~			F ₂ ~				
[mm]								[mm]	[mm]	[N]				
stainless steel, heavy spring load														
M16	8	13,4	148	35	3,2	3	40	6	21	113	-30	90	117	22070.0355

¹⁾ statistical average value

Application example

